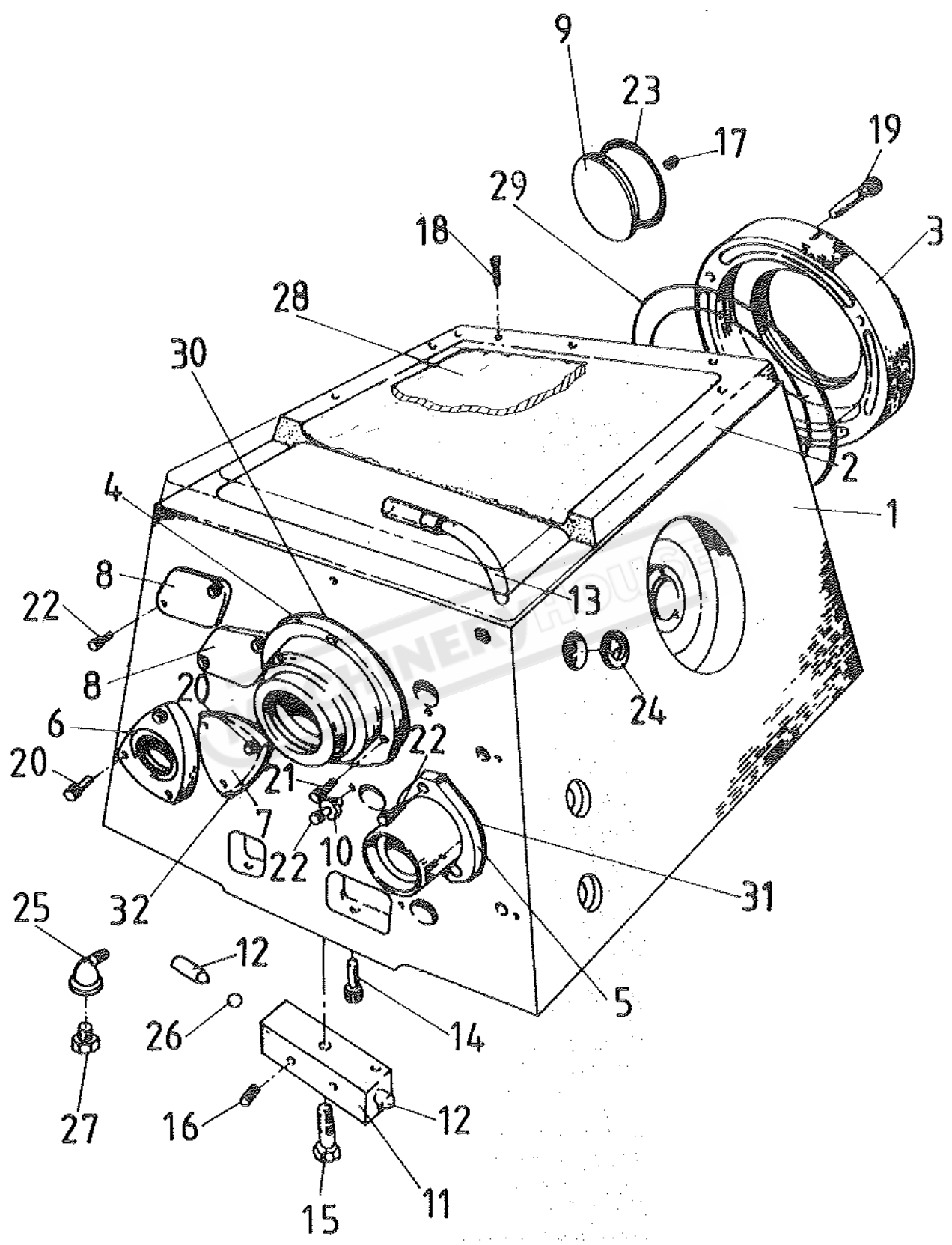
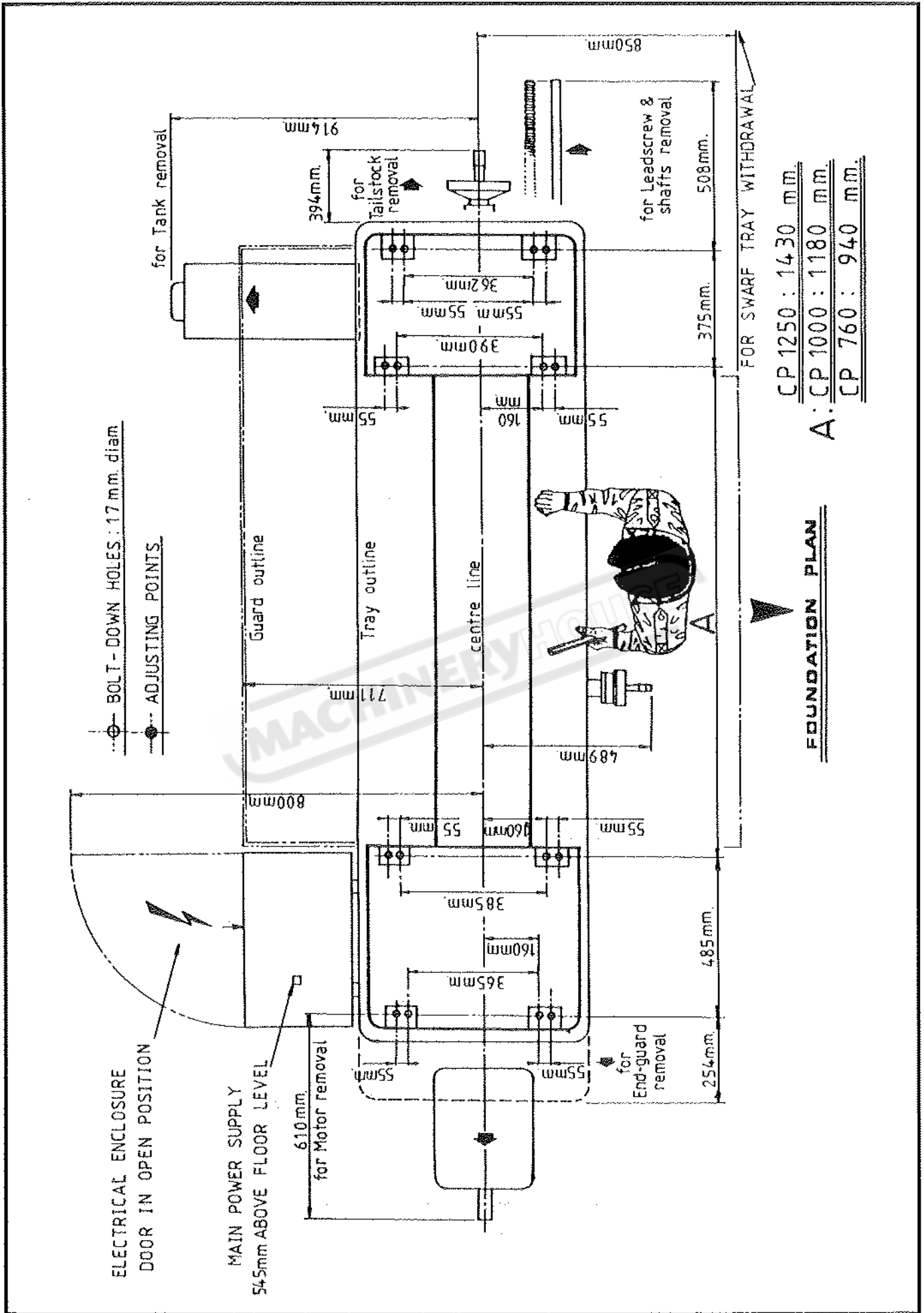


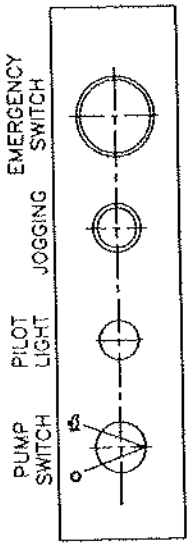
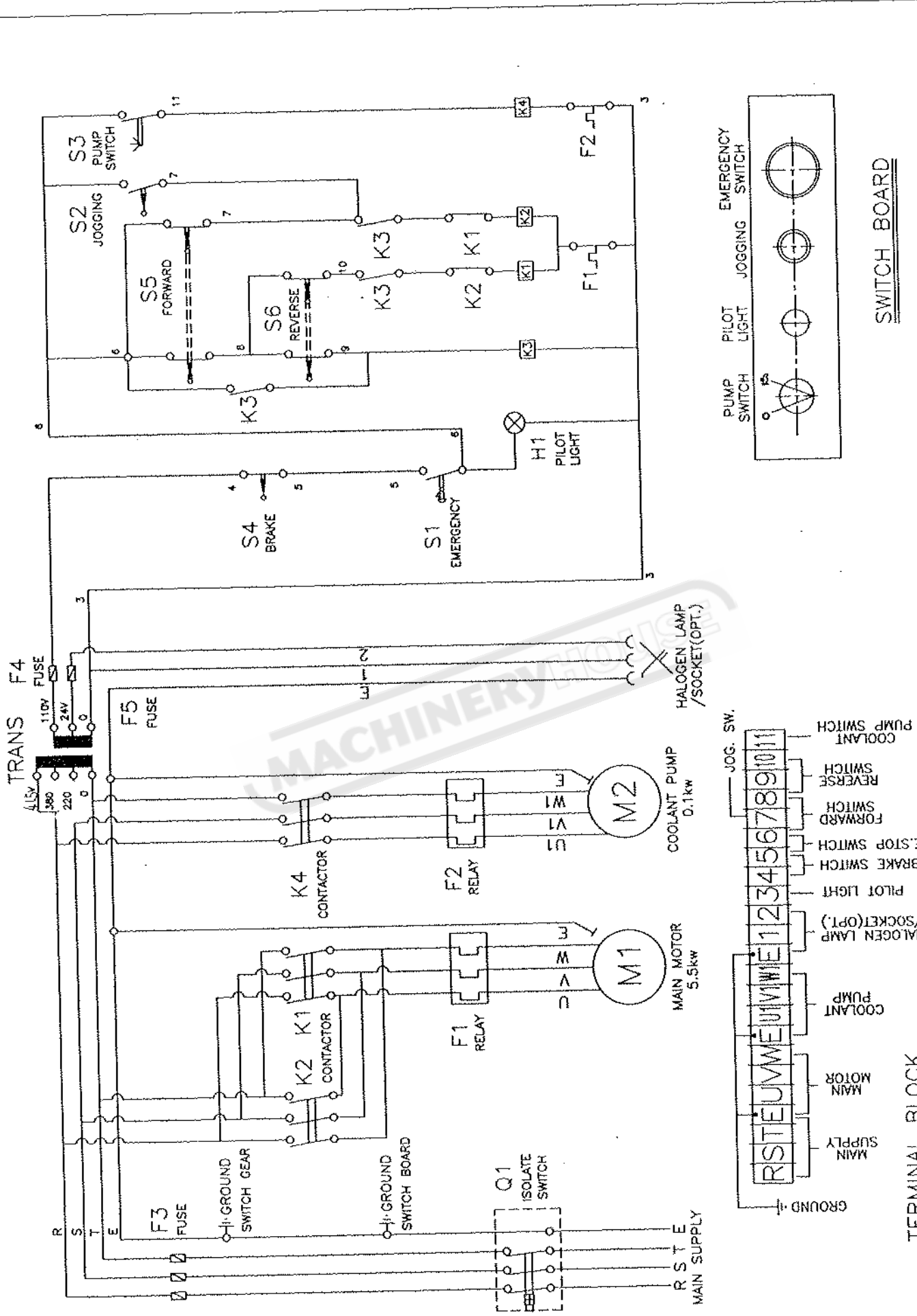
HEADSTOCK : CASTING



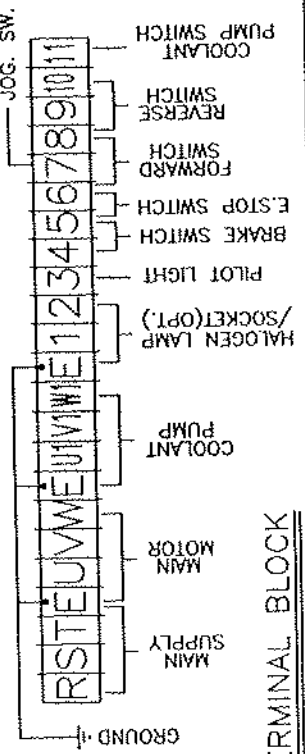


CP 1250 : 1430 mm.
 A: CP 1000 : 1180 mm.
 CP 760 : 940 mm.

FOUNDATION PLAN



SWITCH BOARD

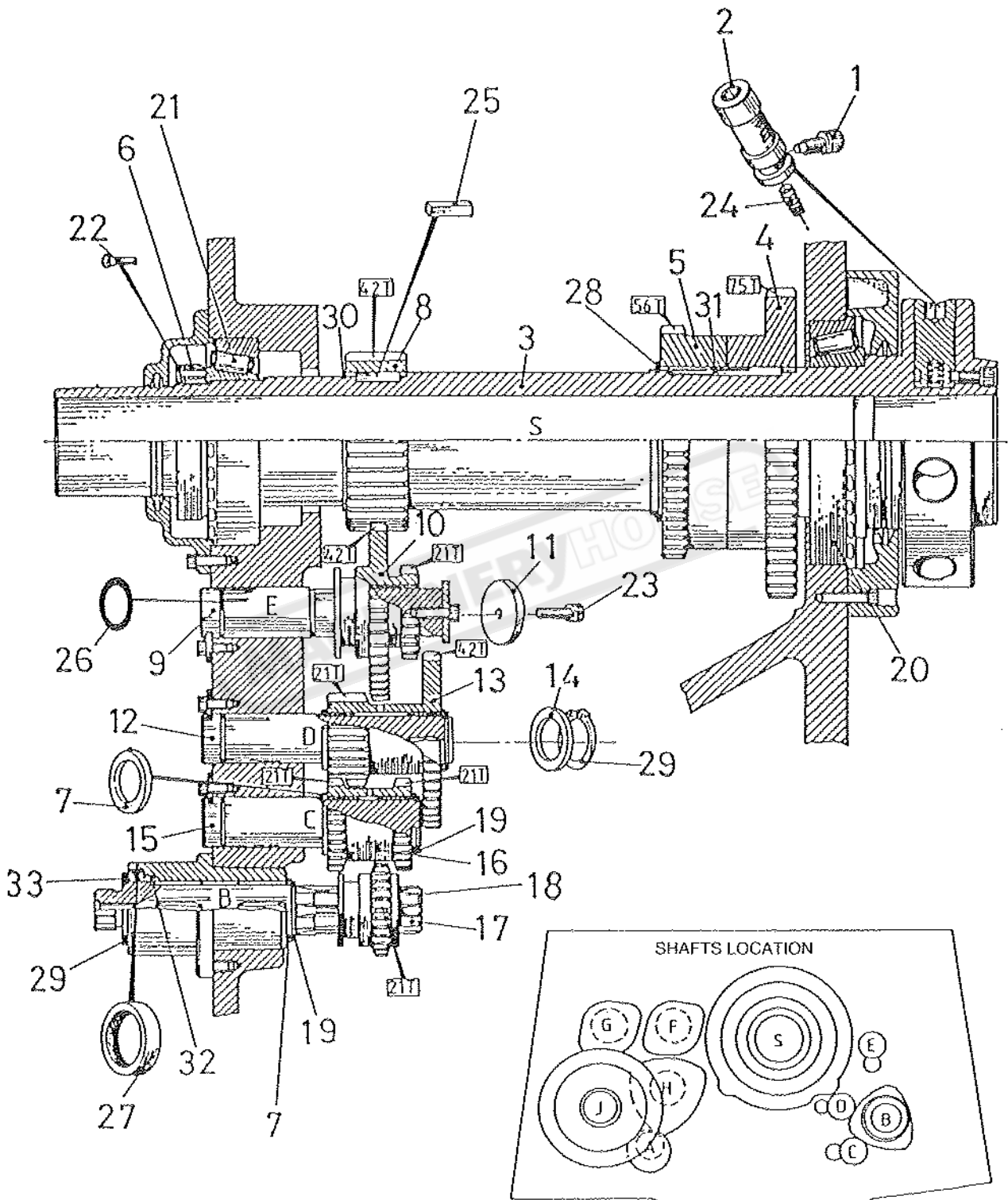


TERMINAL BLOCK

APPROVED BY	DATE	MODEL	CHAMPION
DRAWN BY	DATE	DWG NO.	NON CLUTCH
WIRING DIAGRAM		NAME	
9890 Machinery Ltd.		9890 Machinery Ltd.	

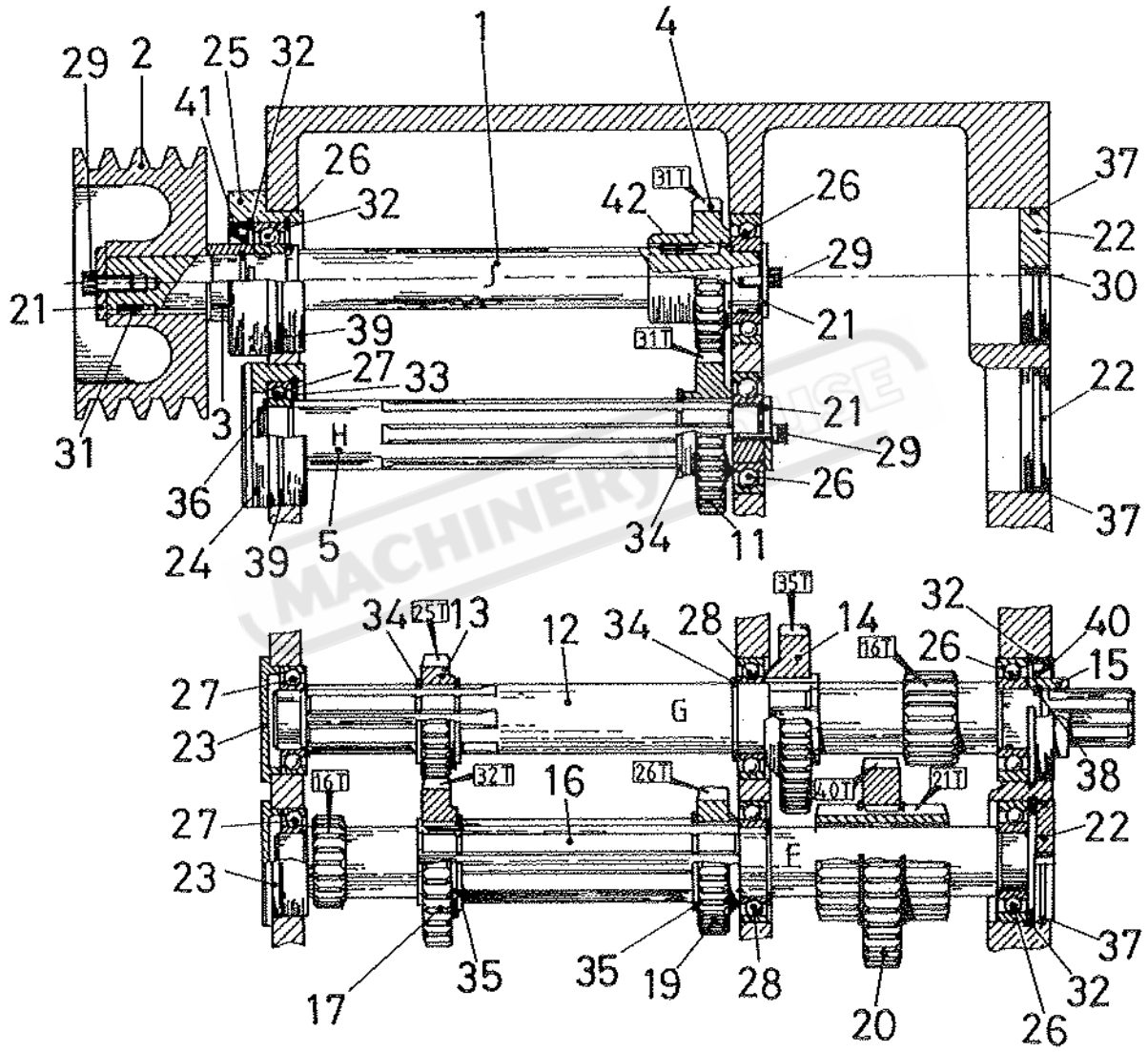
NO.	PART No.	Description	Quantity
1.	C-1001	Headstock Casting	1
2.	C-1002	Headstock Cover	1
3.	C-1003	Front Bearing Cover	1
4.	C-1004	Rear Bearing Cover	1
5.	C-1005	Flanged Bearing	1
6.	C-1006	Bearing Housing	1
7.	C-1007	Cover	1
8.	C-1008	Cover	2
9.	C-1009	Bore Plugs	3
10.	R-1030	Washers	5
11.	C-1011	Set-over Pad	1
12.	C-1012	Pins	2
13.	C-1154	Pipe	1
14.	A-1241	Socket Head Cap Screw (M12 x 35L)	4
15.	A-1424	Hexagon Head Bolt (M10 x 35L)	2
16.	A-1113	Socket Headless Set Screw (M12 x 20L)	2
17.	A-1108	Socket Headless Set Screw (M10 x 10L)	3
18.	A-1209	Socket Head Cap Screw (M6 x 45L)	8
19.	A-1207	Socket Head Cap Screw (M6 x 35L)	3
20.	A-1205	Socket Head Cap Screw (M6 x 25L)	6
21.	A-1204	Socket Head Cap Screw (M6 x 20L)	3
22.	A-1202	Socket Head Cap Screw (M6 x 12L)	11
23.	A-6024	O-Ring (G55)	3
24.	A-9502	Oil Sight	1
25.	A-1127	Elbow	1
26.	A-9205	Ball	2
27.	A-1121	Plug	1
28.	C-1002-1	Foam Plate	1
29.	C-1003-1	Gasket	1
30.	C-1004-1	Gasket	1
31.	C-1005-1	Gasket	1
32.	C-1007-1	Gasket	1

HEADSTOCK : SPINDLE & GEARS



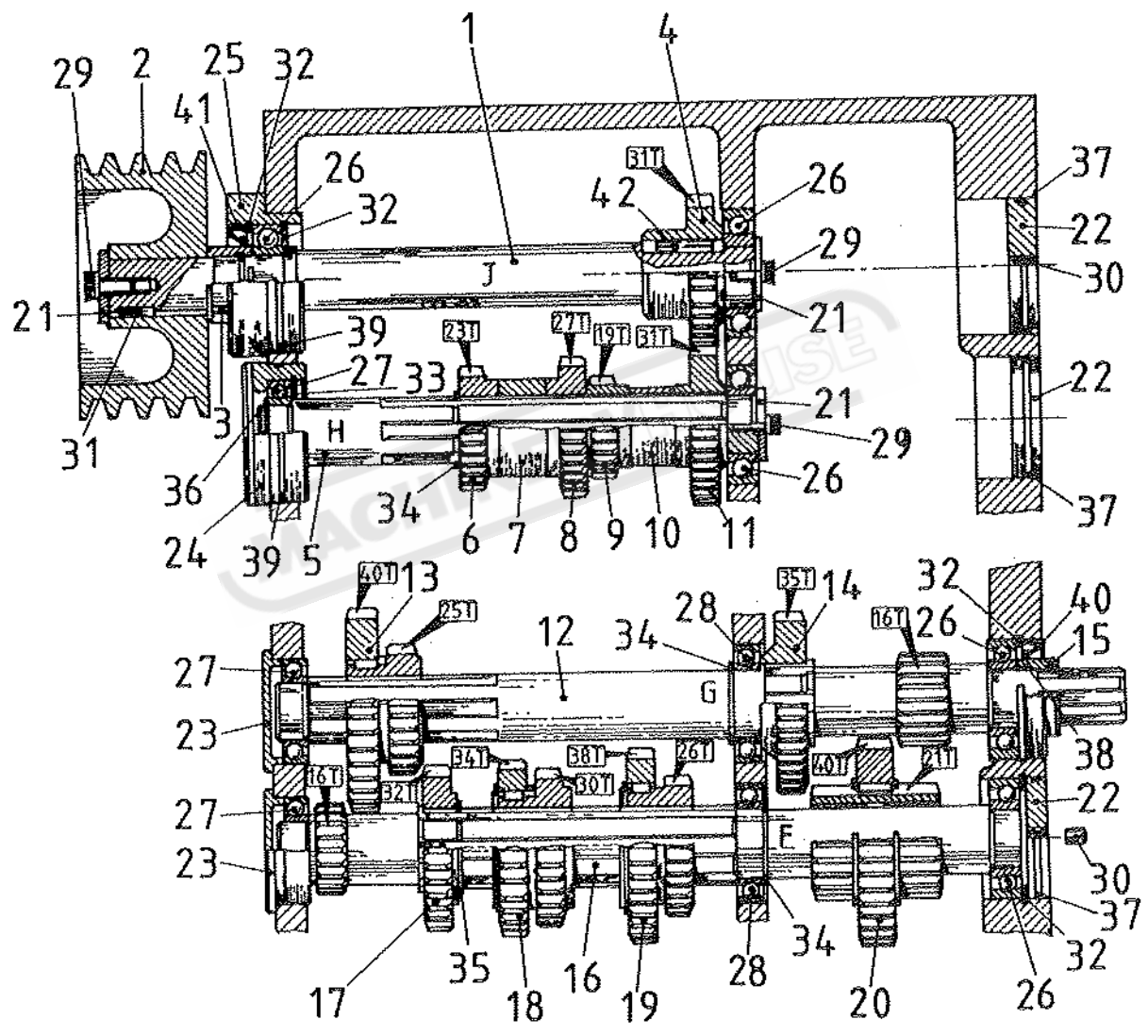
<u>NO.</u>	<u>PART No.</u>	<u>Description</u>	<u>Quantity</u>
1.	C-1016	Cam Screw	6
2.	C-1018	Cams	6
3.	C-1019	Main Spindle (S)	1
4.	C-1020	Spindle Gear (75T)	1
5.	C-1021	Spindle Gear (56T)	1
6.	C-1022	Nut	1
7.	C-1031	Collars	3
8.	C-1024	Gear (42T)	1
9.	C-1026	Shaft (E)	1
10.	C-1027	Sliding Gear (21T/42T)	1
11.	C-1028	Washer	1
12.	C-1029	Shaft (D)	1
13.	C-1030	Double Gear (21T/42T)	1
14.	T-3029	Collar	1
15.	C-1032	Shaft (C)	1
16.	C-1033	Double Gear (21T/21T)	1
17.	C-1035	Shaft (B)	1
18.	C-1036	Gear (21T)	1
19.	A-3312	Circlip (S30)	2
20.	A-2020	Front Bearing (#32218)	1
21.	A-2019	Rear Bearing (#32215)	1
22.	A-1203	Socket Head Cap Screw (M6 x 16L)	2
23.	A-1204	Socket Head Cap Screw (M6 x 20L)	1
24.	A-8401	Cam Spring	6
25.	A-7224	Key (6 x 6 x 25)	1
26.	A-6013	O-Ring (P25.5)	3
27.	A-5018	Oil Seal (50.35.8)	1
28.	A-3323	Circlip (S85)	1
29.	A-3309	Circlip (S25)	2
30.	A-3321	Circlip (S80)	1
31.	A-7225	Key (10 x 8 x75)	1
32.	A-6012	O-Ring (P24)	1
33.	C-1035-1	Collar	1

HEADSTOCK : DRIVEN SHAFT & GEARS. (VARISPEED)



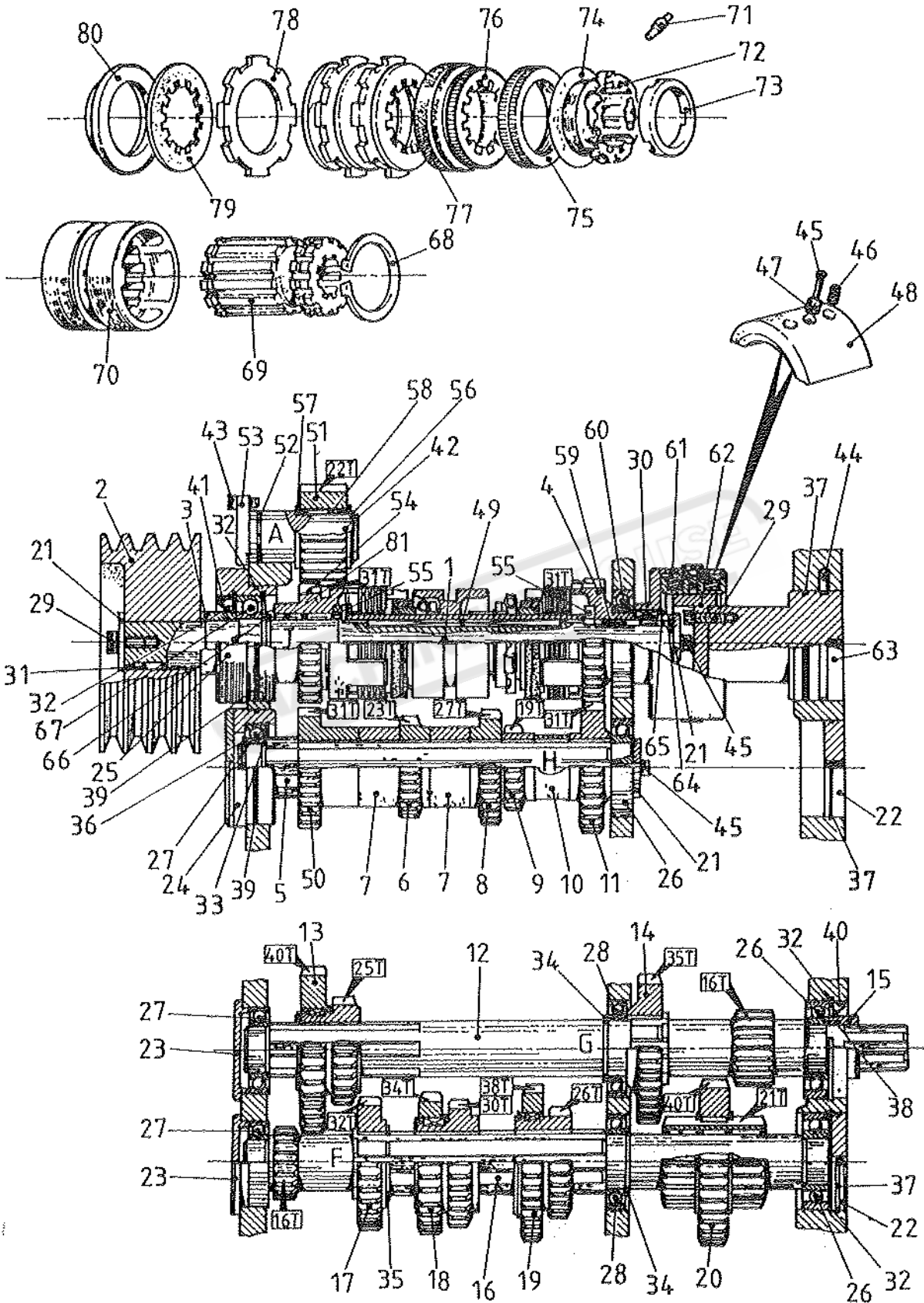
NO.	PART No.	Description	Quantity
1.	C-1038	Shaft (J)	1
2.	C-1040	Pulley	1
3.	C-1041	Spacer	1
4.	C-1042	Gear (31T)	1
5.	C-1043	Shaft (H)	1
11.	C-1050	Gear (31T)	1
12.	C-1052	Shaft (G)	1
13.	C-1053-1	Gear (25T)	1
14.	C-1054	Gear (35T)	1
15.	C-1055	Collar	1
16.	C-1056	Shaft (F)	1
17.	C-1057	Gear (32T)	1
19.	C-1059-1	Gear (26T)	1
20.	C-1060	Compound Gear (21T/40T/21T)	1
21.	C-1028	Washer	3
22.	C-1009	Plug	3
23.	C-1008	Cover	2
24.	C-1007	Cover	1
25.	C-1006	Cover	1
26.	A-2036	Bearing (#6206)	5
27.	A-2029	Bearing (#6006)	3
28.	A-2030	Bearing (#6007)	2
29.	A-1204	Socket Head Cap Screw (M6 x 20L)	3
30.	A-1108	Socket Headless Set Screw (M10 x 10L)	3
31.	A-7226	Key (7 x 7 x 50)	1
32.	A-3206	Circlip (R62)	4
33.	A-3205	Circlip (R55)	1
34.	A-3200	Circlip (R35)	3
35.	A-3316	Circlip (S42)	2
36.	A-3312	Circlip (S30)	1
37.	A-6024	O-Ring (G55)	3
38.	A-6014	O-Ring (P28)	1
39.	A-6028	O-Ring (AN6230/9)	2
40.	A-5020	Oil Seal (TC40.62.10)	1
41.	A-5019	Oil Seal (TC40.62.8)	1
42.	A-7227	Key (10 x 8 x35)	1

HEADSTOCK : DRIVEN SHAFT & GEARS. (NON-CLUTCH)



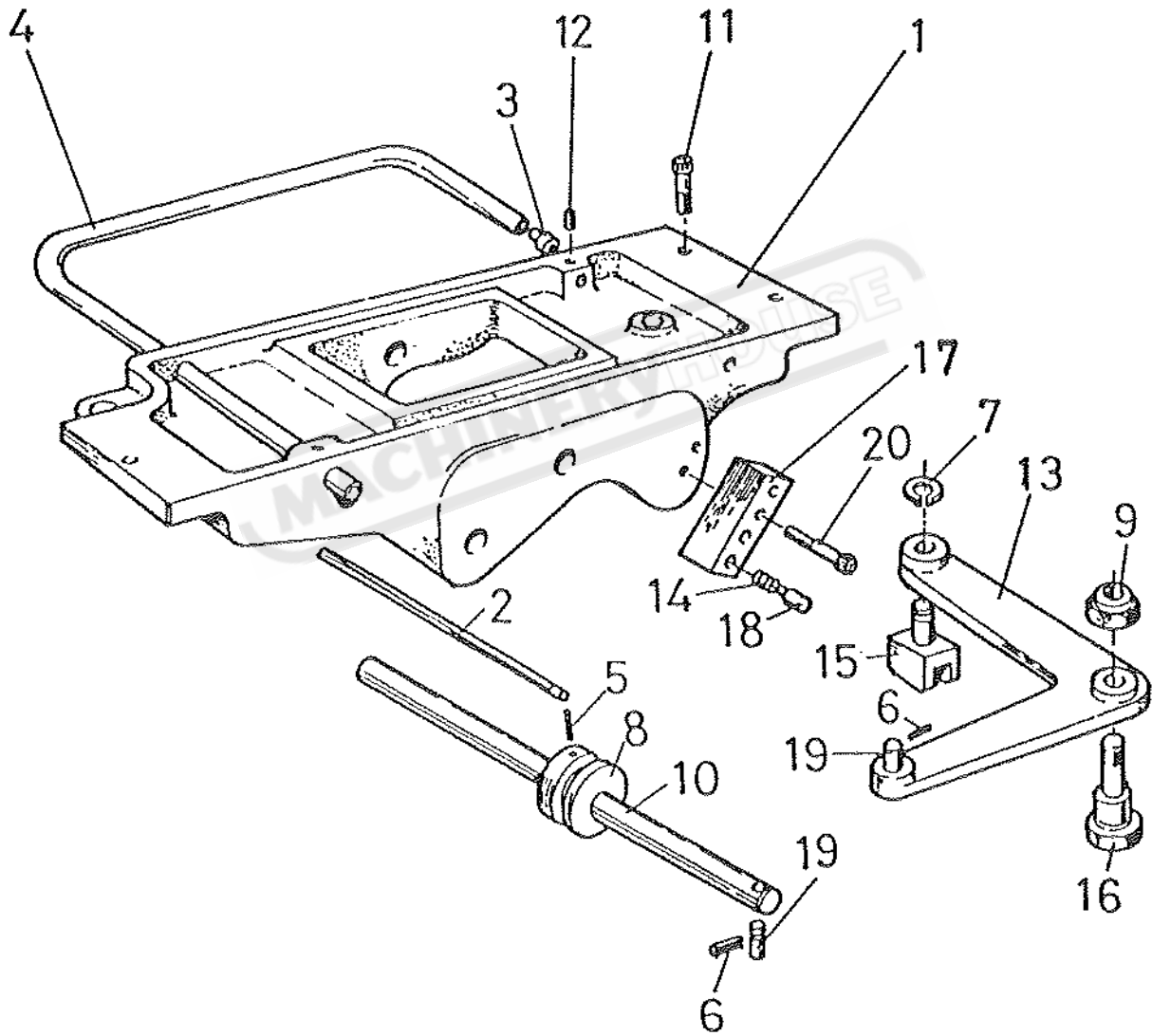
NO.	PART No.	Description	Quantity
1.	C-1038	Shaft (J)	1
2.	C-1040	Pulley	1
3.	C-1041	Spacer	1
4.	C-1042	Gear (31T)	1
5.	C-1043	Shaft (H)	1
6.	C-1045	Gear (23T)	1
7.	C-1046	Spacer	1
8.	C-1047	Gear (27T)	1
9.	C-1048	Gear (19T)	1
10.	C-1049	Spacer	1
11.	C-1050	Gear (31T)	1
12.	C-1052	Shaft (G)	1
13.	C-1053	Double Gear (40T/25T)	1
14.	C-1054	Gear (35T)	1
15.	C-1055	Collar	1
16.	C-1056	Shaft (F)	1
17.	C-1057	Gear (32T)	1
18.	C-1058	Double Gear (34T/30T)	1
19.	C-1059	Double Gear (38T/26T)	1
20.	C-1060	Compound Gear (21T/40T/21T)	1
21.	C-1028	Washer	3
22.	C-1009	Plug	3
23.	C-1008	Cover	2
24.	C-1007	Cover	1
25.	C-1006	Cover	1
26.	A-2036	Bearing (#6206)	5
27.	A-2029	Bearing (#6006)	3
28.	A-2030	Bearing (#6007)	2
29.	A-1204	Socket Head Cap Screw (M6 x 20L)	3
30.	A-1108	Socket Headless Set Screw (M10 x 10L)	3
31.	A-7226	Key (7 x 7 x 50)	1
32.	A-3206	Circlip (R62)	4
33.	A-3205	Circlip (R55)	1
34.	A-3200	Circlip (R35)	3
35.	A-3316	Circlip (S42)	1
36.	A-3312	Circlip (S30)	1
37.	A-6024	O-Ring (G55)	3
38.	A-6014	O-Ring (P28)	1
39.	A-6028	O-Ring (AN6203/9)	2
40.	A-5020	Oil Seal (TC40.62.10)	1
41.	A-5019	Oil Seal (TC40.62.8)	1
42.	A-7227	Key (10 x 8 x35)	1

HEADSTOCK : CLUTCH SHAFT & GEARS



NO.	PART No.	Description	Quantity
1.	C-1201	Clutch Shaft (J)	1
2.	C-1040	Pulley	1
3.	C-1212	Spacer	1
4.	C-1203	Gear (31T)	1
5.	C-1271	Shaft (H)	1
6.	C-1045	Gear (23T)	1
7.	C-1046	Spacer	2
8.	C-1047	Gear (27T)	1
9.	C-1048	Gear (19T)	1
10.	C-1049	Spacer	1
11.	C-1050	Gear (31T)	1
12.	C-1052	Shaft (G)	1
13.	C-1053	Double Gear (40T/25T)	1
14.	C-1054	Gear (35T)	1
15.	C-1055	Collar	1
16.	C-1056	Shaft (F)	1
17.	C-1057	Gear (32T)	1
18.	C-1058	Double Gear (34T/30T)	1
19.	C-1059	Double Gear (38T/26T)	1
20.	C-1060	Compound Gear (21T/40T/21T)	1
21.	C-1028	Washer	2
22.	C-1009	Plug	2
23.	C-1008	Cover	2
24.	C-1007	Cover	1
25.	C-1212	Cover	1
26.	A-2036	Bearing (#6206)	3
27.	A-2029	Bearing (#6006)	3
28.	A-2030	Bearing (#6007)	2
29.	A-1204	Socket Head Cap Screw (M6 x 20L)	3
30.	A-1108	Socket Headless Set Screw (M10 x 10L)	2
31.	A-7226	Key (7 x 7 x 50)	1
32.	A-3206	Circlip (R62)	4
33.	A-3205	Circlip (R55)	1
34.	A-3200	Circlip (R35)	2
35.	A-3316	Circlip (S42)	1
36.	A-3312	Circlip (S30)	1
37.	A-6024	O-Ring (G55)	3
38.	A-6014	O-Ring (P28)	1
39.	A-6028	O-Ring (AN6203/9)	2
40.	A-5020	Oil Seal (TC40.62.10)	1
41.	A-5019	Oil Seal (TC40.62.3)	1
42.	C-1221	Shaft (A)	1
43.	A-1202	Socket Head Cap Screw (M6 x 12L)	1
44.	A-1106	Socket Headless Set Screw (M8 x 8L)	1
45.	A-1612	Socket Head Cap Screw (M6 x 16L)	6
46.	A-8410	Spring	8
47.	C-1218	Pegs	4
48.	C-1217	Pads	4
49.	A-7246	Key (8 x 8 x 125)	1
50.	C-1205	Gear (31T)	1
51.	C-1204	Gear (22T)	1
52.	A-6013	O-Ring (P25.5)	1
53.	R-1030	Washer	1
54.	C-1202	Gear (31T)	1
55.	C-1207	Washer	2
56.	C-1221-1	Washer	1
57.	C-1222	Washer	1
58.	A-2109	Needle Bearing (TLA 25.32.16)	1
59.	A-2110	Needle Bearing (TLA 2220)	2
60.	A-2047	Bearing (#6008)	1
61.	C-1219	Brake Housing	1
62.	C-1216	Brake Disc	1
63.	C-1215	Brake Shaft	1
64.	C-1209	Washer	1
65.	A-3328	Circlip (S40)	1
66.	A-2002	Bearing (NTB 3047 + As 3047)	1
67.	A-2048	Bearing (#5206)	1
68.	C-1388C	Circlip	1
69.	C-1418C	Hubs	2
70.	C-1399C	Operating Collar	1
71.	C-1392C	Bearing Assembly	6
72.	C-1407C	Track Rings	2
73.	C-1494C	Thrust Washers	2
74.	C-1488	Springs	2
75.	C-1430C	Adjusting Nuts	2
76.	C-1450C	Lock Plates	2
77.	C-1462C	Locking Plates	2
78.	C-1447C	Outer Plates	10
79.	C-1444C	Inner Plates	12
80.	C-1410C	End Flanges	2
81.	A-2115	Needle Bearing (TLA3020)	1

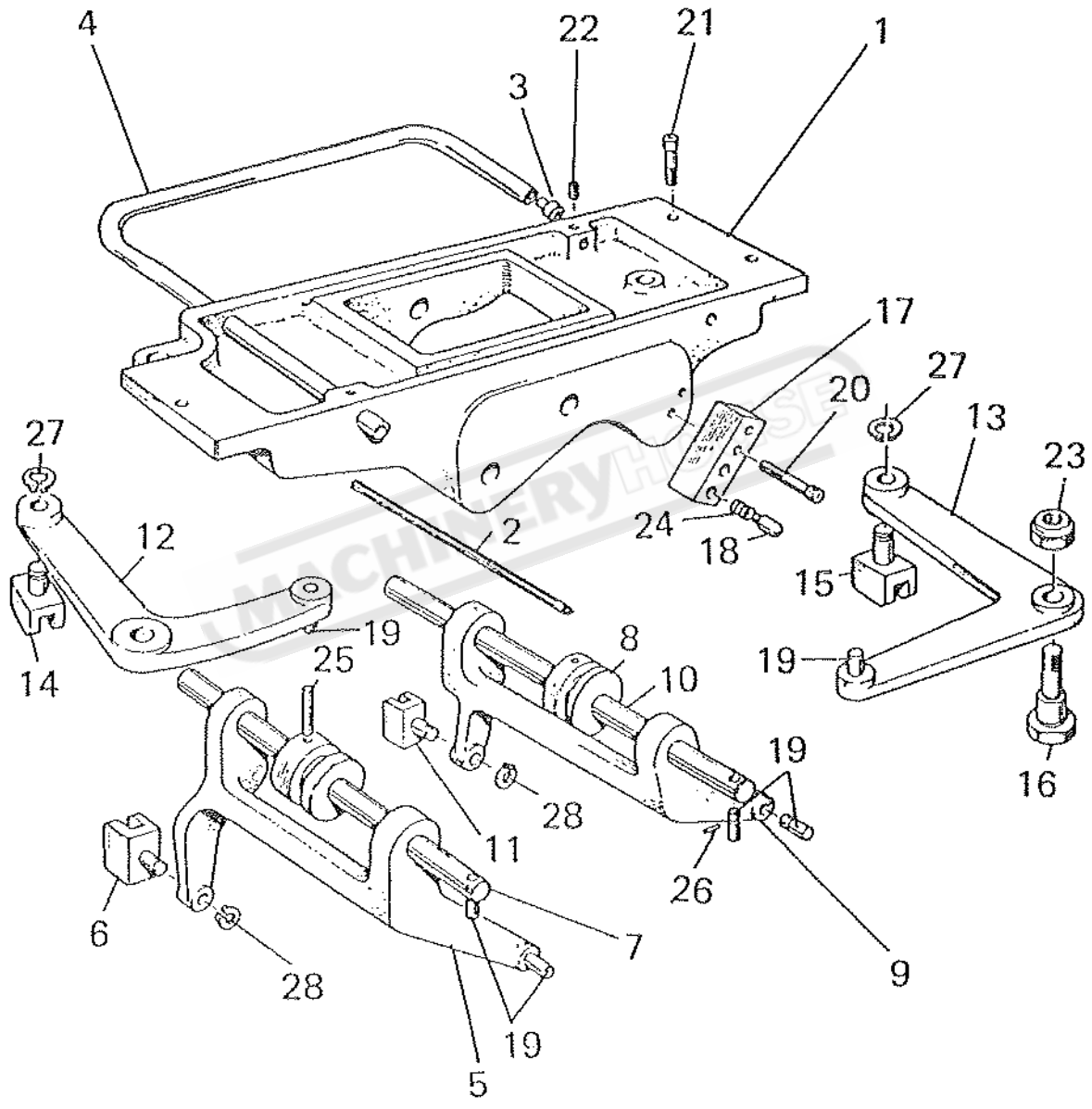
HEADSTOCK : CONTROL FRAME ASSEMBLY (VARISPEED)



NO.	PART No.	Description	Quantity
1.	C-1061	Lever Frame	1
2.	C-1062	Rod	1
3.	C-1063	Peg	1
4.	C-1064	Lubrication Pipe	1
5.	A-4003	Pin ($\phi 4$ x 36L)	1
6.	A-4000	Pin ($\phi 3$ x 10L)	2
7.	A-3102	Circlip (E8)	1
8.	C-1068	Collar Assembly	1
9.	A-1703	Nut (M12 x 1.75)	1
10.	C-1070	Rod	1
11.	A-1203	Socket Head Cap Screw (M6 x 16L)	3
12.	A-1100	Socket Head Cap Screw (M6 x 6L)	2
13.	C-1073	Lever	1
14.	A-8402	Spring	1
15.	C-1074-2	Shift Fork	1
16.	C-1075	Bolt	1
17.	C-1076	Bracket	1
18.	C-1077	Plunger	1
19.	C-1156	Pin	2
20.	A-1205	Socket Head Cap Screw (M6 x 25L)	2

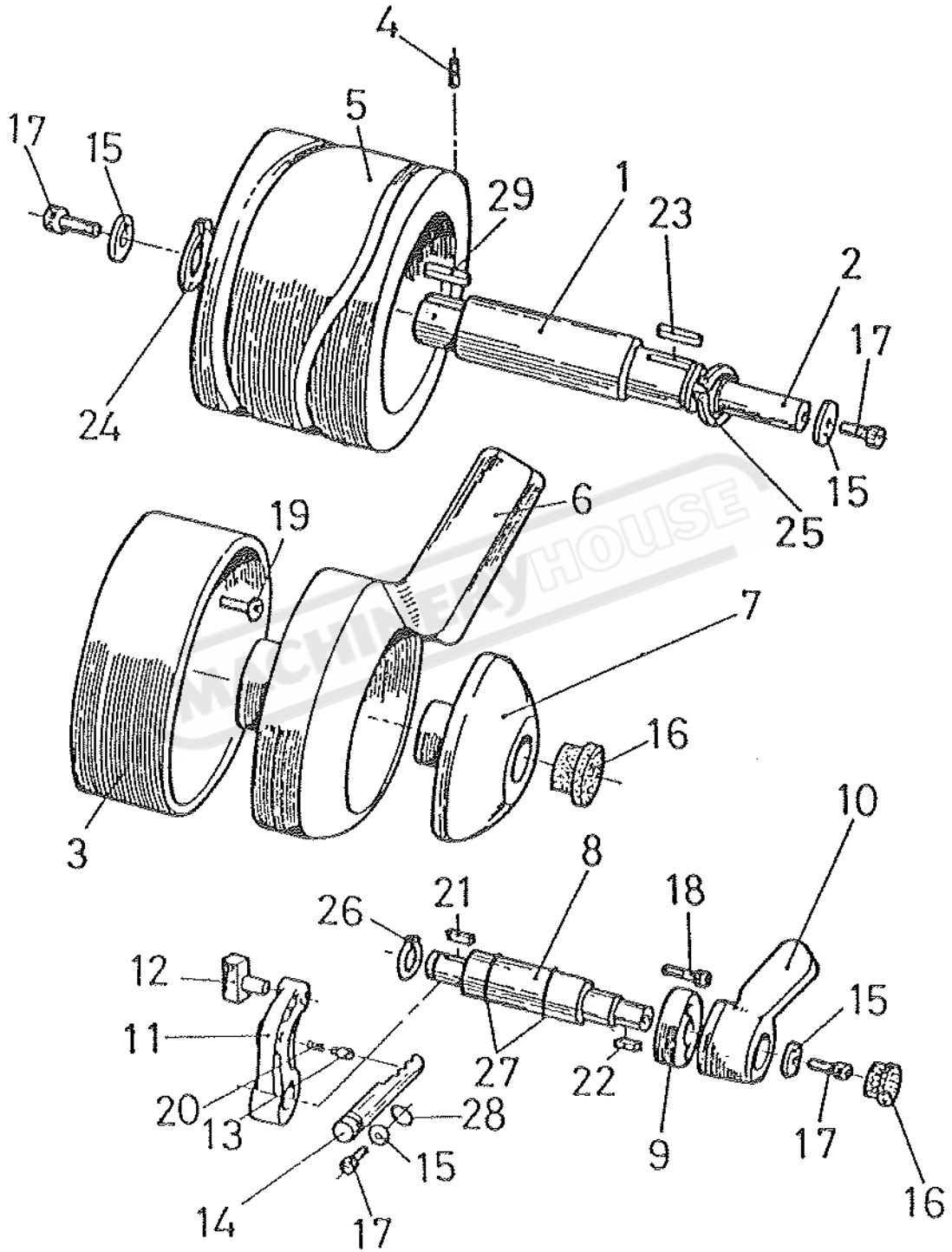
MACHINERYHOUSE

HEADSTOCK : CONTROL FRAME ASSEMBLY



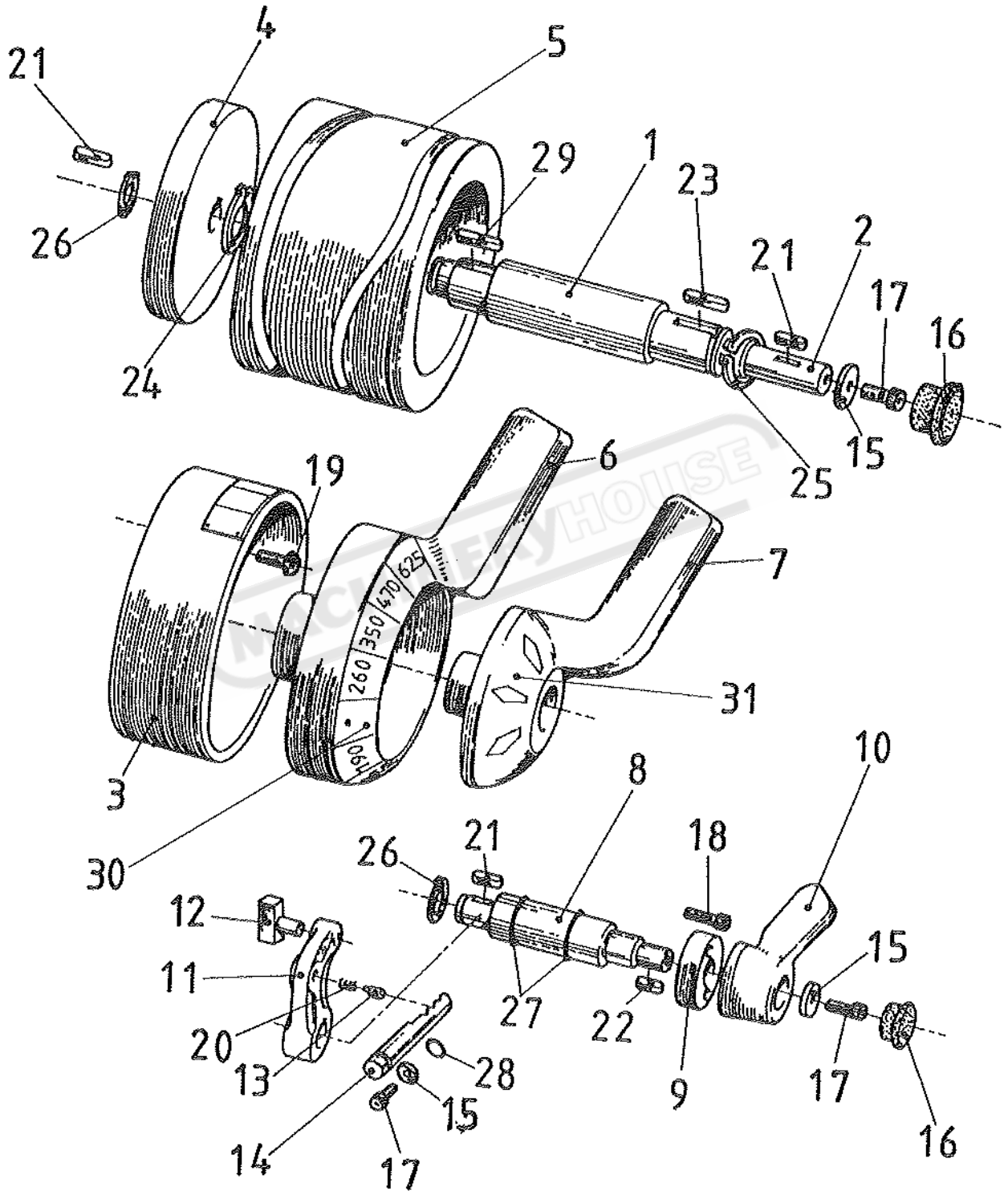
NO.	PART No.	Description	Quantity
1.	C-1061	Lever Frame	1
2.	C-1062	Rod	2
3.	C-1063	Peg	1
4.	C-1064	Lubrication Pipe	1
5.	C-1065	Lever Bracket Assembly	1
6.	C-1066	Shift Fork	1
7.	C-1067	Rod Assembly	1
8.	C-1068	Collar Assembly	2
9.	C-1069	Lever Bracket Assembly	1
10.	C-1070	Rod	1
11.	C-1066	Shift Fork	1
12.	C-1072	Lever	1
13.	C-1073	Lever	1
14.	C-1074-1	Shift Fork	1
15.	C-1074-2	Shift Fork	1
16.	C-1075	Bolt	2
17.	C-1076	Bracket	1
18.	C-1077	Pfunger	2
19.	C-1156	Pin	6
20.	A-1205	Socket Head Cap Screw (M6 x 25L)	2
21.	A-1203	Socket Head Cap Screw (M6 x 16L)	3
22.	A-1100	Socket Headless Set Screw (M6 x 6L)	2
23.	A-1703	Nut (M12 x 1.75)	2
24.	A-8402	Spring	2
25.	A-4003	Pin (ϕ 4 x 36)	2
26.	A-4000	Pin (ϕ 3 x 10)	2
27.	A-3102	Circlip (E8)	2
28.	A-3103	Circlip (E10)	2

HEADSTOCK : CONTROLS (VARISPEED)



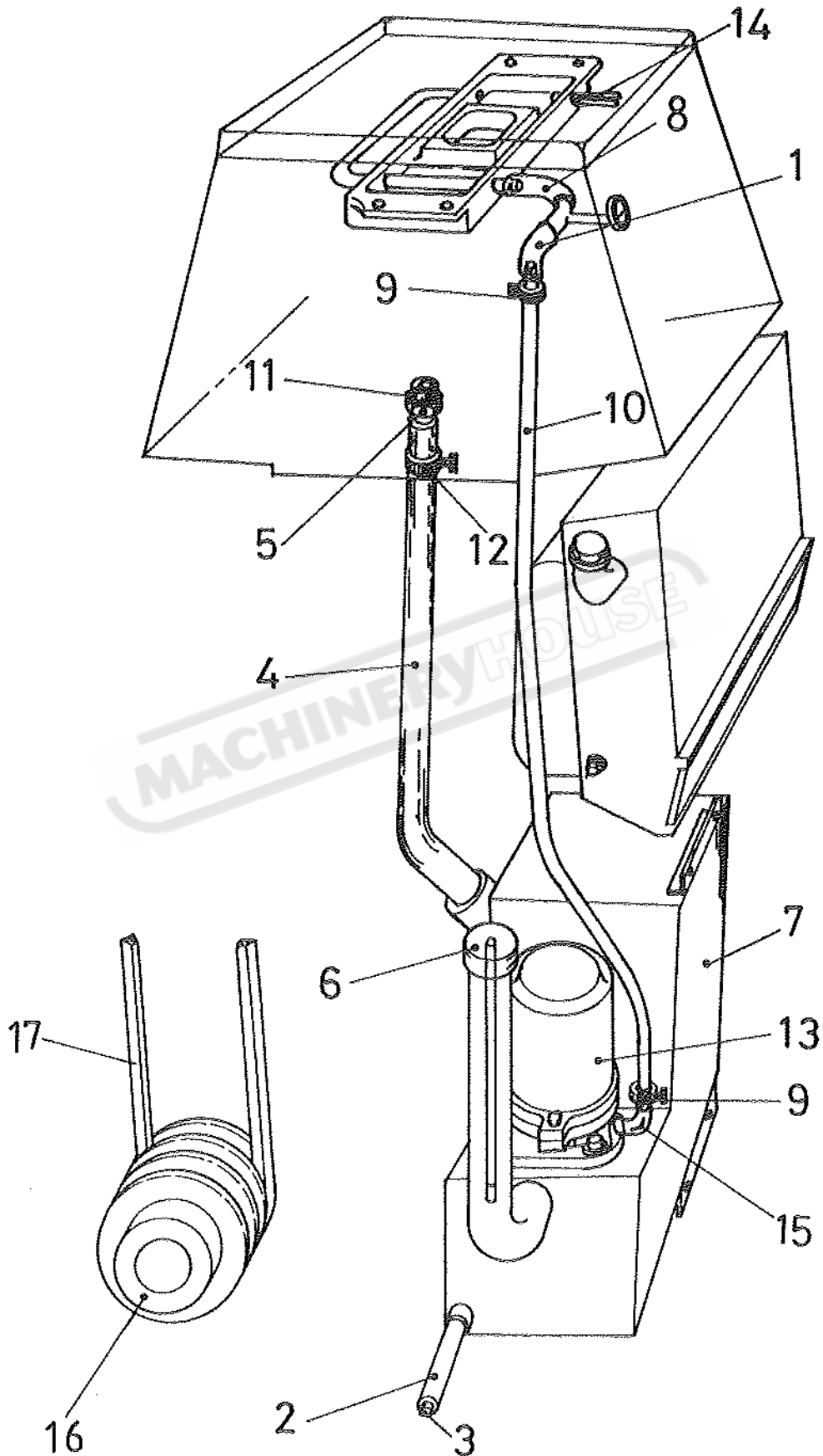
NO.	PART No.	Description	Quantity
1.	C-1078	Cam Shaft	1
2.	C-1079-1	Shaft	1
3.	C-1080	Selector Housing Assembly	1
4.	A-1104	Socket Headless Set Screw (M6 x 20L)	2
5.	C-1082	Drum Cam	1
6.	C-1083	Range Selector	1
7.	C-1084-2	Speed Selector	1
8.	C-1085	Shafts	2
9.	C-1086	Collars	2
10.	C-1087	Handles	2
11.	C-1089	Shift Levers	2
12.	C-1090	Shift Pads	2
13.	C-1091	Detents	2
14.	C-1092	Detents Bars	2
15.	R-1030	Washers	3
16.	C-2075	Plugs	3
17.	A-1202	Socket Head Cap Screw (M6 x 12L)	5
18.	A-1203	Socket Head Cap Screw (M6 x 16L)	4
19.	A-1606	Cross Recessed Head Screw (M5 x 6L)	3
20.	A-8403	Spring	2
21.	A-7202	Key (4 x 4 x 15)	2
22.	A-7201	Key (4 x 4 x 10)	2
23.	A-7208	Key (5 x 5 x 30)	2
24.	A-3308	Circlip (S24)	1
25.	A-3310	Circlip (S28)	1
26.	A-3302	Circlip (S16)	2
27.	A-6007	O-Ring (P18)	4
28.	A-6004	O-Ring (P12)	2
29.	A-7207	Key (5 x 5 x 25)	1

HEADSTOCK : CONTROLS



NO.	PART No.	Description	Quantity
1.	C-1078	Cam Shaft	1
2.	C-1079	Shaft	1
3.	C-1080	Selector Housing Assembly	1
4.	C-1081	Plate Cam	1
5.	C-1082	Drum Cam	1
6.	C-1083	Range Selector	1
7.	C-1084	Speed Selector	1
8.	C-1085	Shaft	2
9.	C-1086	Collar	2
10.	C-1087	Handles	2
11.	C-1089	Shift Levers	2
12.	C-1090	Shift Pads	2
13.	C-1091	Detents	2
14.	C-1092	Detents Bars	2
15.	R-1030	Washers	5
16.	C-2075	Plugs	3
17.	A-1202	Socket Head Cap Screw (M6 x 12L)	5
18.	A-1203	Socket Head Cap Screw (M6 x 16L)	4
19.	A-1606	Cross Recessed Head Screw (M5 x 6L)	3
20.	A-8403	Spring	2
21.	A-7202	Key (4 x 4 x 15)	4
22.	A-7201	Key (4 x 4 x 10)	2
23.	A-7208	Key (5 x 5 x 30)	1
24.	A-3310	Circlip (S28)	1
25.	A-3308	Circlip (S24)	1
26.	A-3302	Circlip (S16)	2
27.	A-6007	O-Ring (P18)	4
28.	A-6004	O-Ring (P12)	2
29.	A-7207	Key (5 x 5 x 25)	1
30.	NC-06	Speed Chart	1
31.	NC-08	Arrow Plate	1

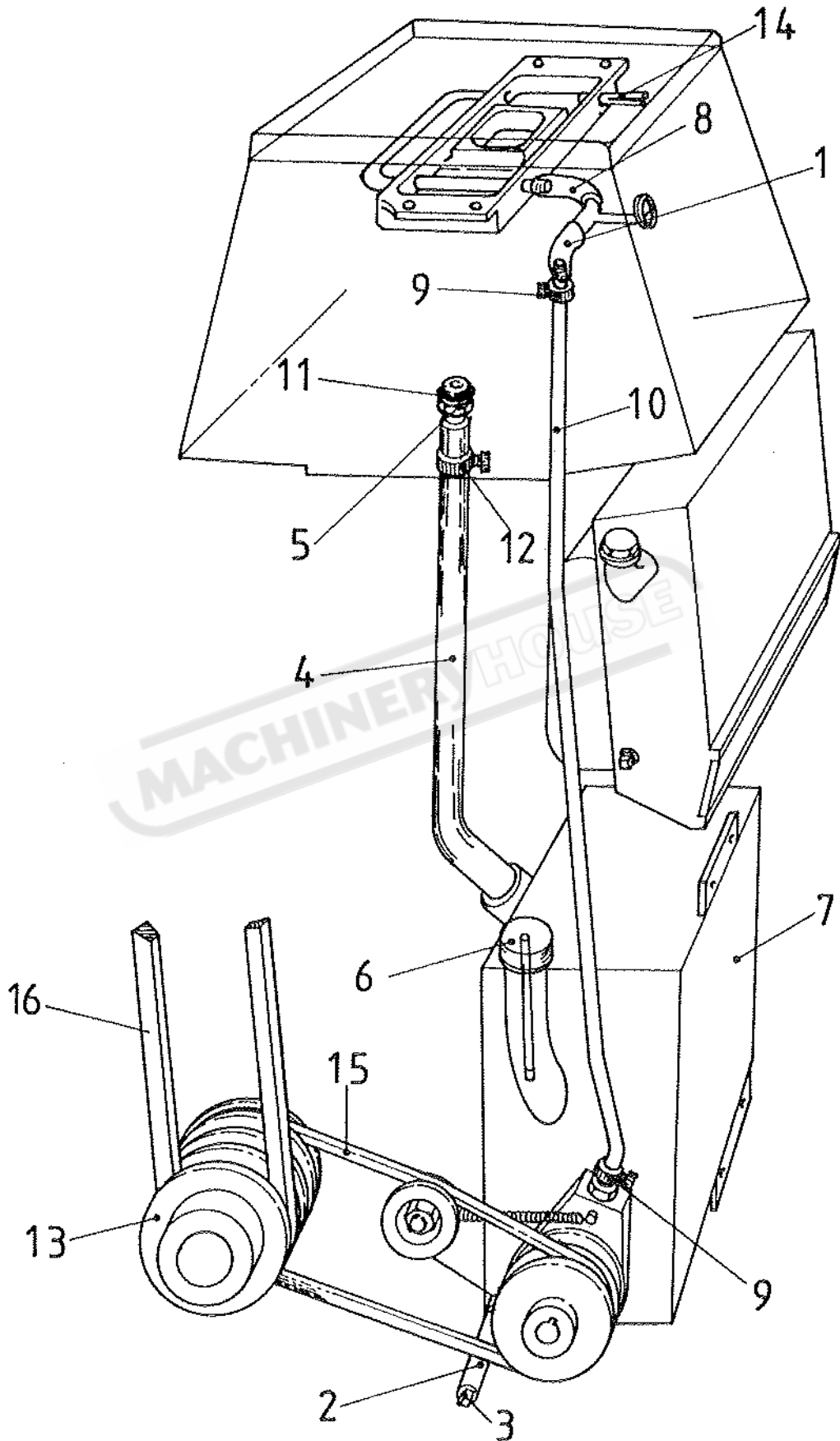
HEADSTOCK : LUBRICATION (VARISPEED)



NO.	PART No.	Description	Quantity
1.	C-1093	Connector	1
2.	C-1098	Drain Pipe	1
3.	C-1098-2	Plug	1
4.	C-1099	Return Hose	1
5.	C-1101	Adaptor	1
6.	C-1102	Dipstick Cap	1
7.	C-1105-1	Oil Tank	1
8.	A-4114	Connecting Pipe	1
9.	A-4111	Clamp	2
10.	A-4113	Inlet Hose	1
11.	A-6013	O-Ring (P25)	1
12.	A-4110	Clamp	1
13.	A-4102	Pump	1
14.	A-4115	Hoses	2
15.	A-4101	Elbow	1
16.	C-7028-6	Motor Pulley	1
17.	A-0109	Vee Belt A-72"	4

MACHINERYHOUSE

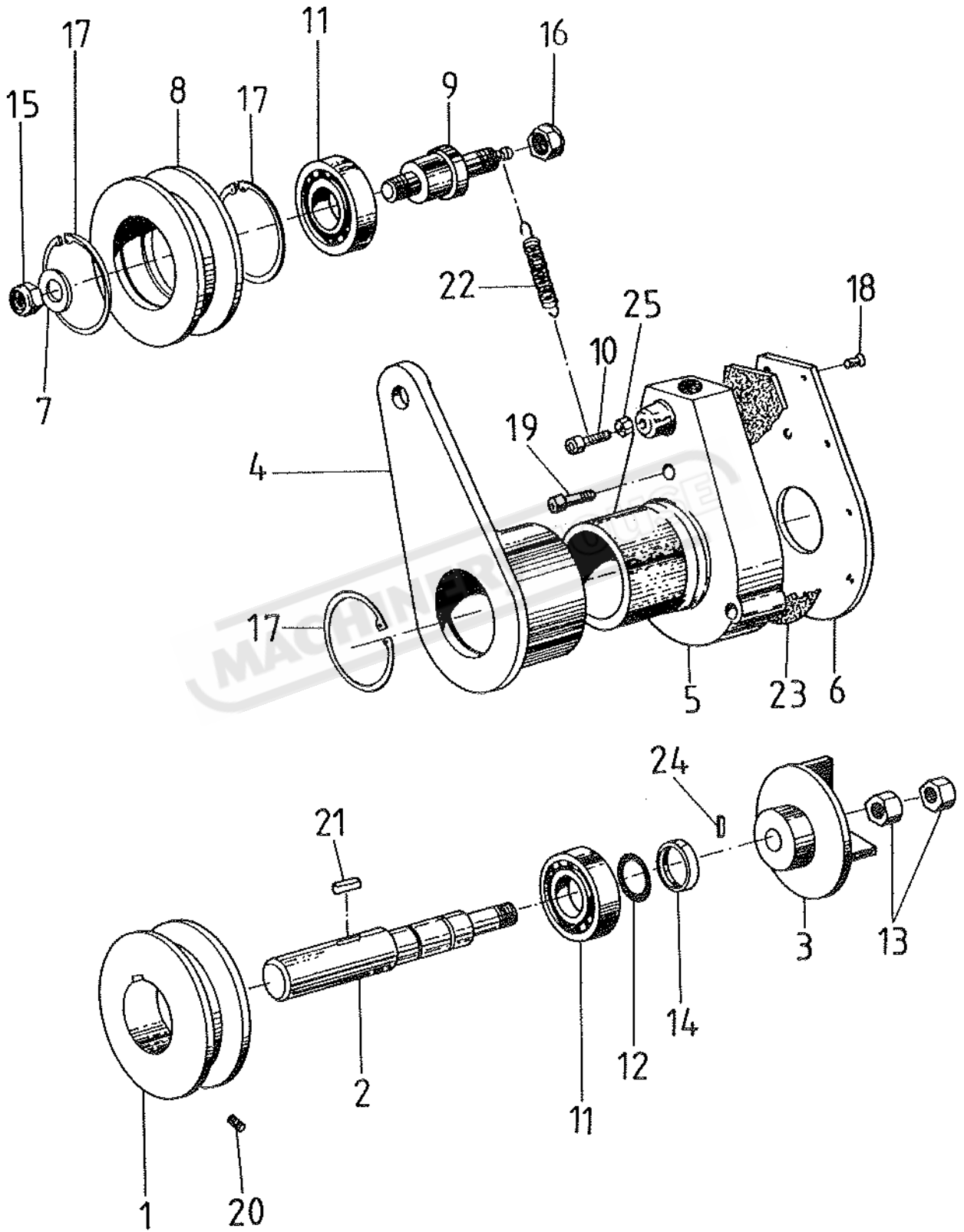
HEADSTOCK : LUBRICATION



NO.	PART No.	Description	Quantity
1.	C-1093	Connector	1
2.	C-1098	Drain Pipe	1
3.	C-1098-2	Plug	1
4.	C-1099	Return Hose	1
5.	C-1101	Adaptor	1
6.	C-1102	Dipstick Cap	1
7.	C-1105	Oil Tank	1
8.	A-4114	Connecting Pipe	2
9.	A-4111	Clamp	1
10.	A-4113	Inlet Hose	1
11.	A-6013	O-Ring (P25)	1
12.	A-4110	Clamp	1
13.	C7028-3	Motor Pulley (60Hz)	1
	C7028-6	Motor Pulley (50Hz)	1
14.	A-4115	Hoses	2
15.	A-0123	Vee Belt (60Hz) A-33"	1
	A-0124	Vee Belt (50Hz) A-34"	1
16.	A-0109	Vee Belt (50Hz) A-72"	1
	A-0110	Vee Belt (60Hz) A-73"	1

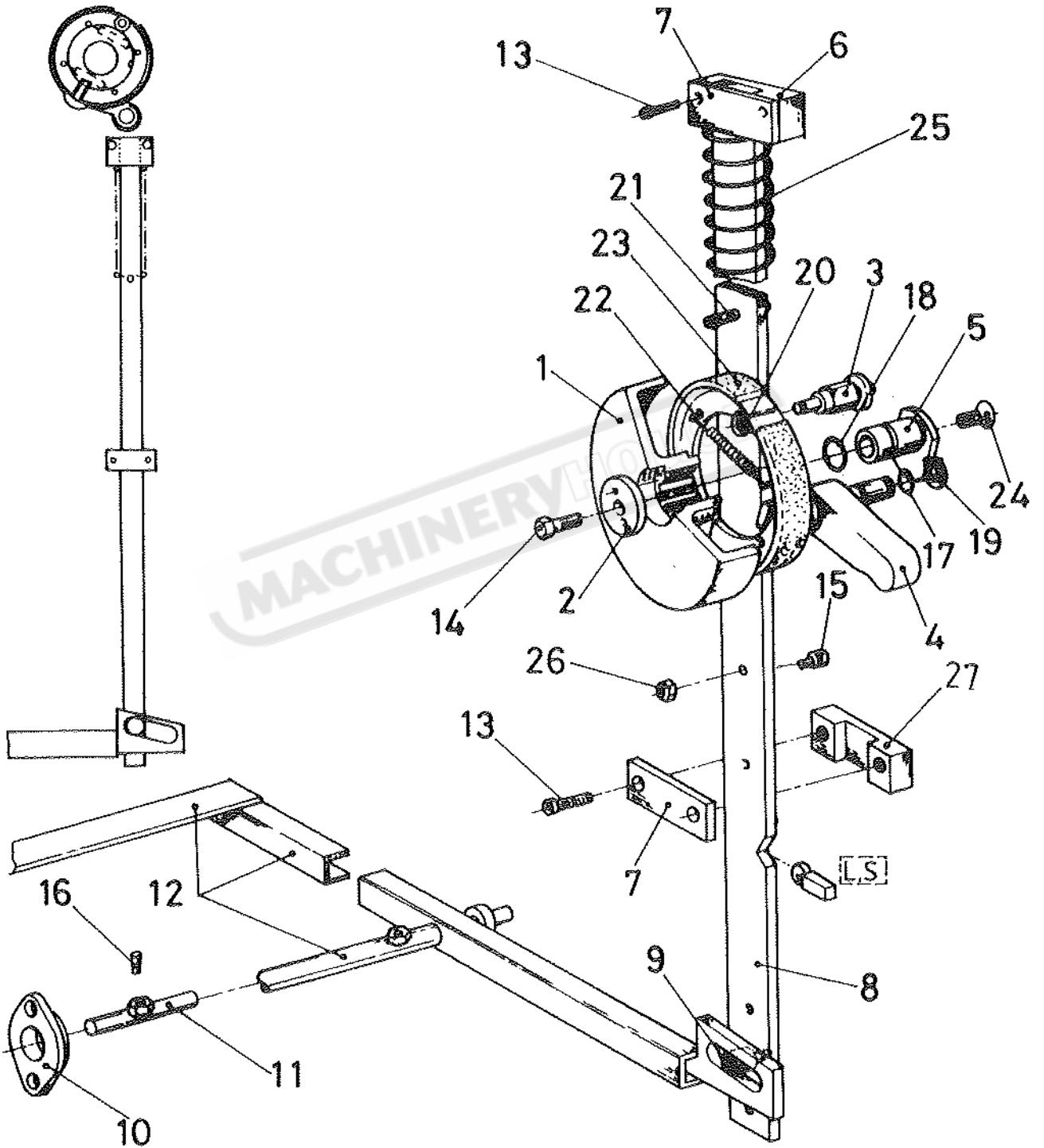
MACHINERYHOUSE

HEADSTOCK : PUMP ASSY



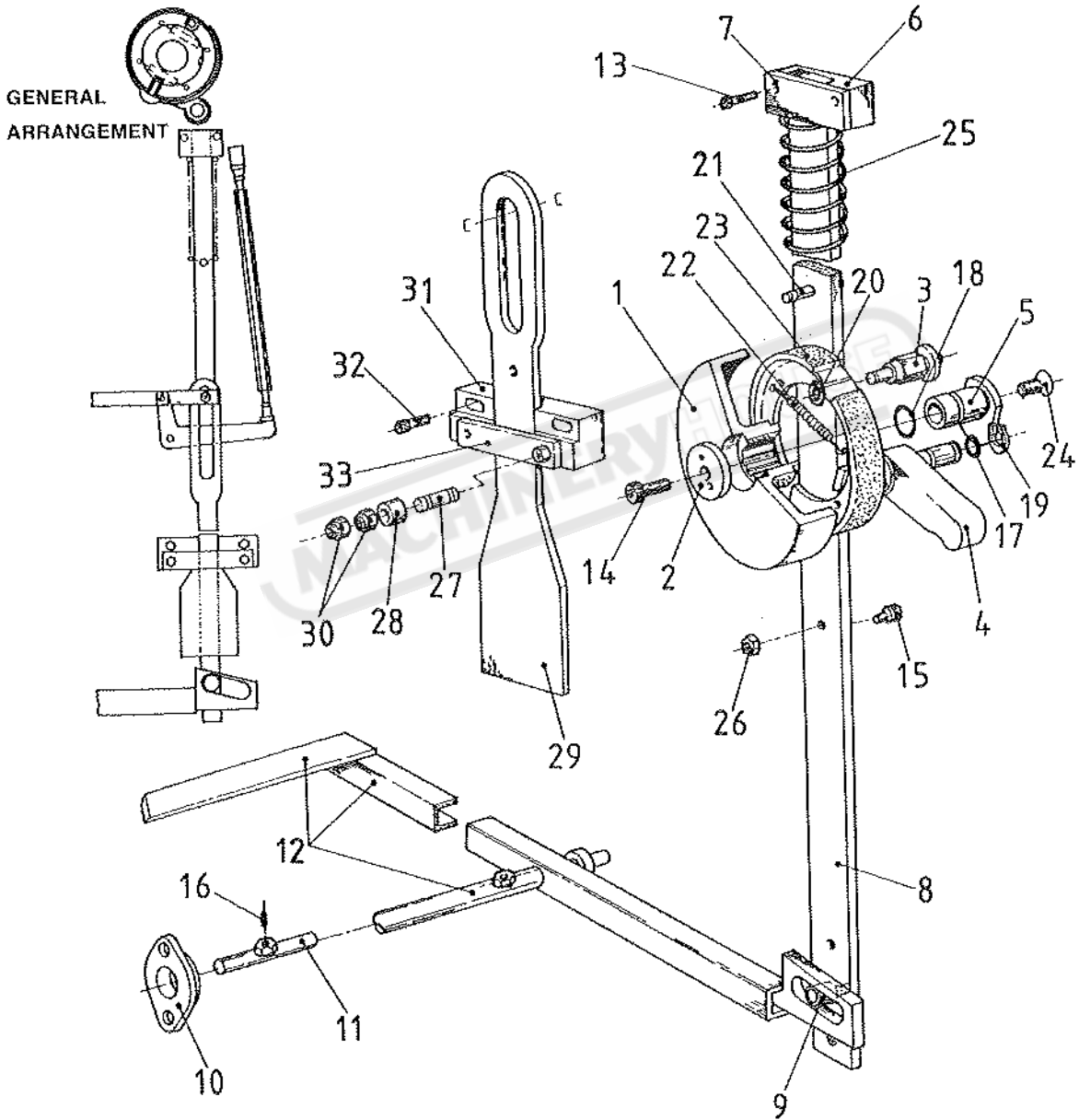
NO.	PART No.	Description	Quantity
1.	C-1106	Pulley	1
2.	C-1107	Shaft	1
3.	C-1109	Impeller	1
4.	C-1110	Plate	1
5.	C-1111	Housing	1
6.	C-1112	Backplate	1
7.	C-1113	Washer	1
8.	C-1114	Pulley	1
9.	C-1115	Shaft	1
10.	A-1517	Socket Head Cap Screw (M6 x 25)	1
11.	A-2037	Bearing #6301ZZ	2
12.	A-6001	O-Ring (P9)	1
13.	A-1707	Nut (5/16")	2
14.	A-5013	Oil Seal (TC 12 x 25 x 7)	1
15.	A-1701	Nut (M8)	1
16.	A-1708	Nut (3/8")	1
17.	A-3201	Circlip (R37)	3
18.	A-1608	Cross Recessed Head Screw (M5 x 15)	7
19.	A-1208	Socket Head Cap Screw (M6 x 40)	3
20.	A-1100	Socket Headless Set Screw (M6 x 6)	1
21.	A-7207	Key (5 x 5 x 25)	1
22.	A-8404	Spring	1
23.	A-9815	Gasket	1
24.	A-4006	Pin (ϕ 3 x 10)	1
25.	A-1700	Nut (M6)	1

BRAKE : MECHANISM (NON-CLUTCH & VARISPEED)



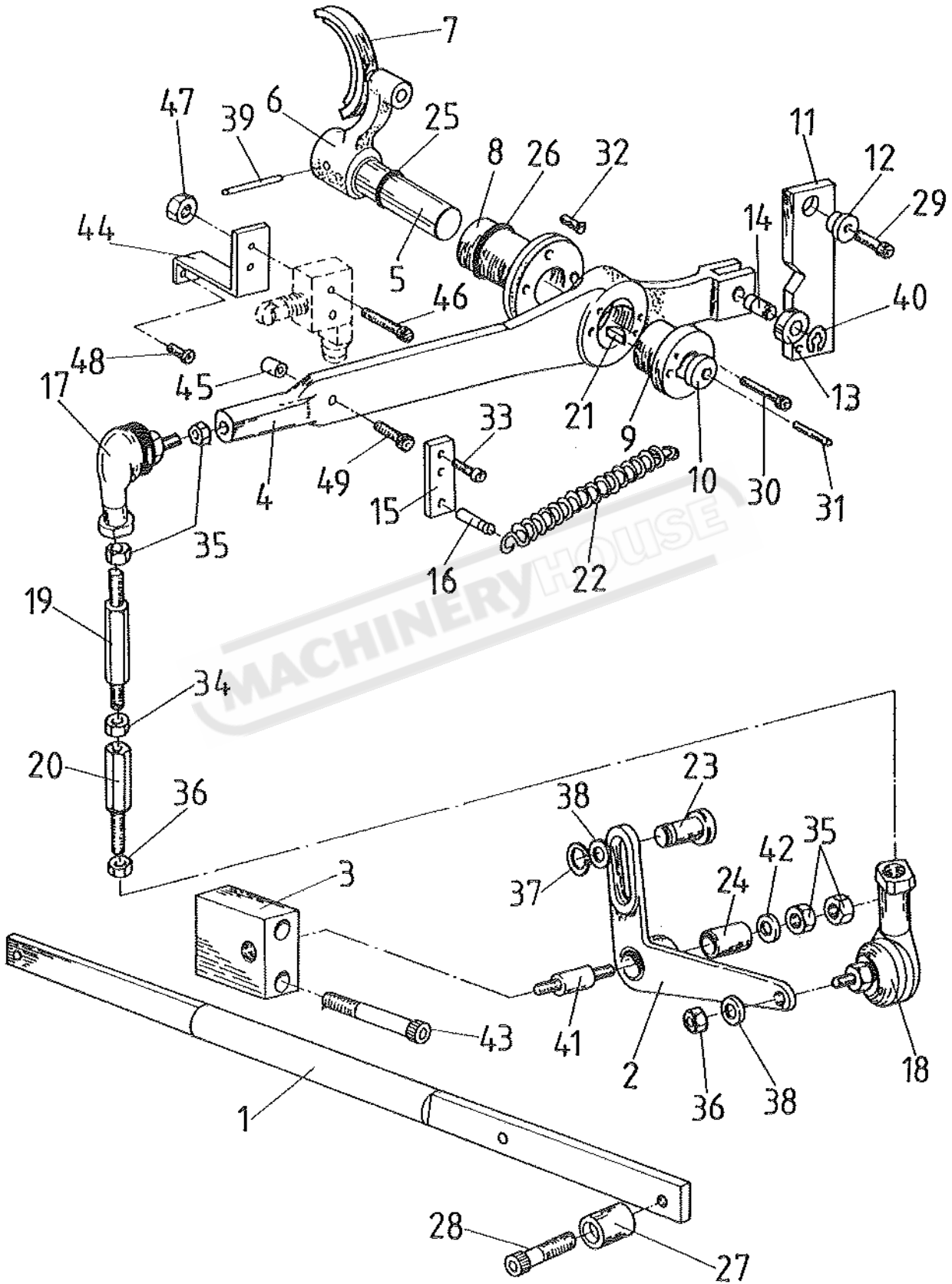
NO.	PART No.	Description	Quantity
1.	C-1117-1	Drum	1
2.	C-1117-2	Collar	1
3.	C-1118	Stud	1
4.	C-1119	Catch Assembly	1
5.	C-1120	Bush	1
6.	C-1122	Guide Blocks	1
7.	C-1123	Strap Plate	2
8.	C-1124	Operation Bar	1
9.	C-1125	Pivot	1
10.	C-7009	Flanges	2
11.	C-7010	Connect Shafts	2
12.	C-7011	Pedal	1
13.	A-1205	Socket Head Cap Screw (M6 x 25L)	4
14.	A-1213	Socket Head Cap Screw (M8 x 20L)	1
15.	A-1214	Socket Head Cap Screw (M8 x 25L)	1
16.	A-1104	Socket Headless Cap Screw (M6 x 20L)	2
17.	A-6002	O-Ring (P10A)	1
18.	A-6006	O-Ring (P16)	1
19.	A-3300	Circlip (S14)	1
20.	A-3102	Circlip (E8)	1
21.	A-4009	Pin (ϕ 5 x 40)	1
22.	A-8516	Spring	2
23.	A-9801	Brake Shoes Assembly	1
24.	A-1509	Flat Head Cap Screw (M5 x 10L)	1
25.	A-8423	Spring	1
26.	A-1701	Nut (M8)	1
27.	C-1122-2	Guide Blocks	1

BRAKE : MECHANISM (CLUTCH)



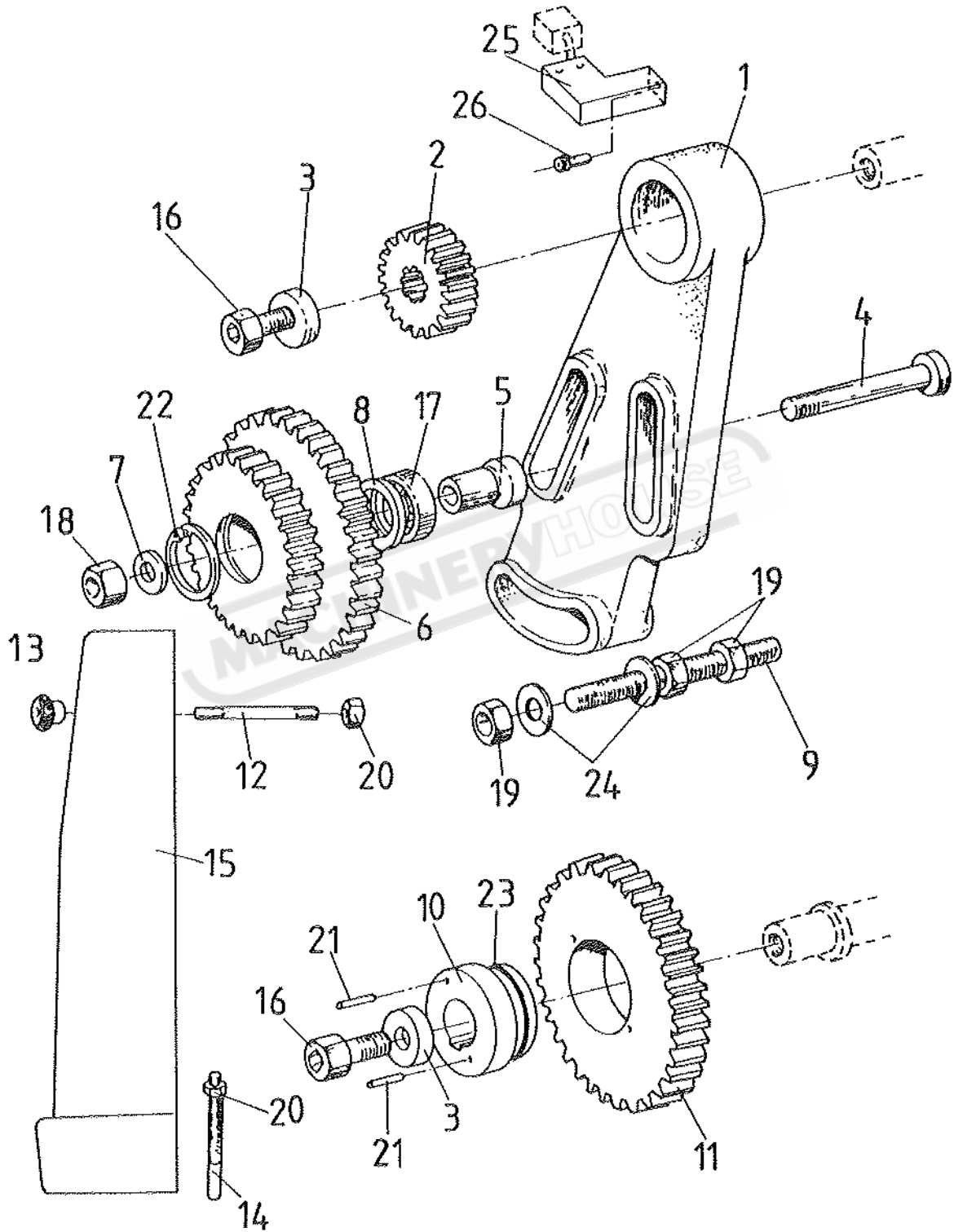
NO.	PART No.	Description	Quantity
1.	C-1117-1	Drum	1
2.	C-1117-2	Collar	1
3.	C-1118	Stud	1
4.	C-1119	Catch Assembly	1
5.	C-1120	Bush	1
6.	C-1122-1	Guide Block	1
7.	C-1123	Strap Plate	1
8.	C-1124	Operation Bar	1
9.	C-1125	Pivot	1
10.	C-7009	Flanges	2
11.	C-7010	Connect Shaft	2
12.	C-7011	Pedal	1
13.	A-1205	Socket Head Cap Screw (M6 x 25L)	2
14.	A-1213	Socket Head Cap Screw (M8 x 20L)	1
15.	A-1214	Socket Head Cap Screw (M8 x 25L)	1
16.	A-1104	Socket Headless Set Screw (M6 x 20L)	2
17.	A-6002	O-Ring (P10A)	1
18.	A-6006	O-Ring (P16)	1
19.	A-3300	Circlip (S14)	1
20.	A-3102	Circlip (E8)	1
21.	A-4009	Pin (ϕ 5 x 40)	1
22.	A-8516	Spring	2
23.	A-9801	Brake Shoes Assembly	1
24.	A-1509	Flat Head Cap Screw (M5 x 10L)	1
25.	A-8423	Spring	1
26.	A-1701	Nut (M8)	1
27.	C-1246	Pivot	2
28.	C-1245	Bush	2
29.	C-1230	Operating Guider	1
30.	A-1702	Nut (M10)	4
31.	C-1255	Guide Block	1
32.	A-1205	Socket Head Cap Screw (M6 x 25L)	2
33.	C-1256	Strap Plate	1

CLUTCH LINKAGE



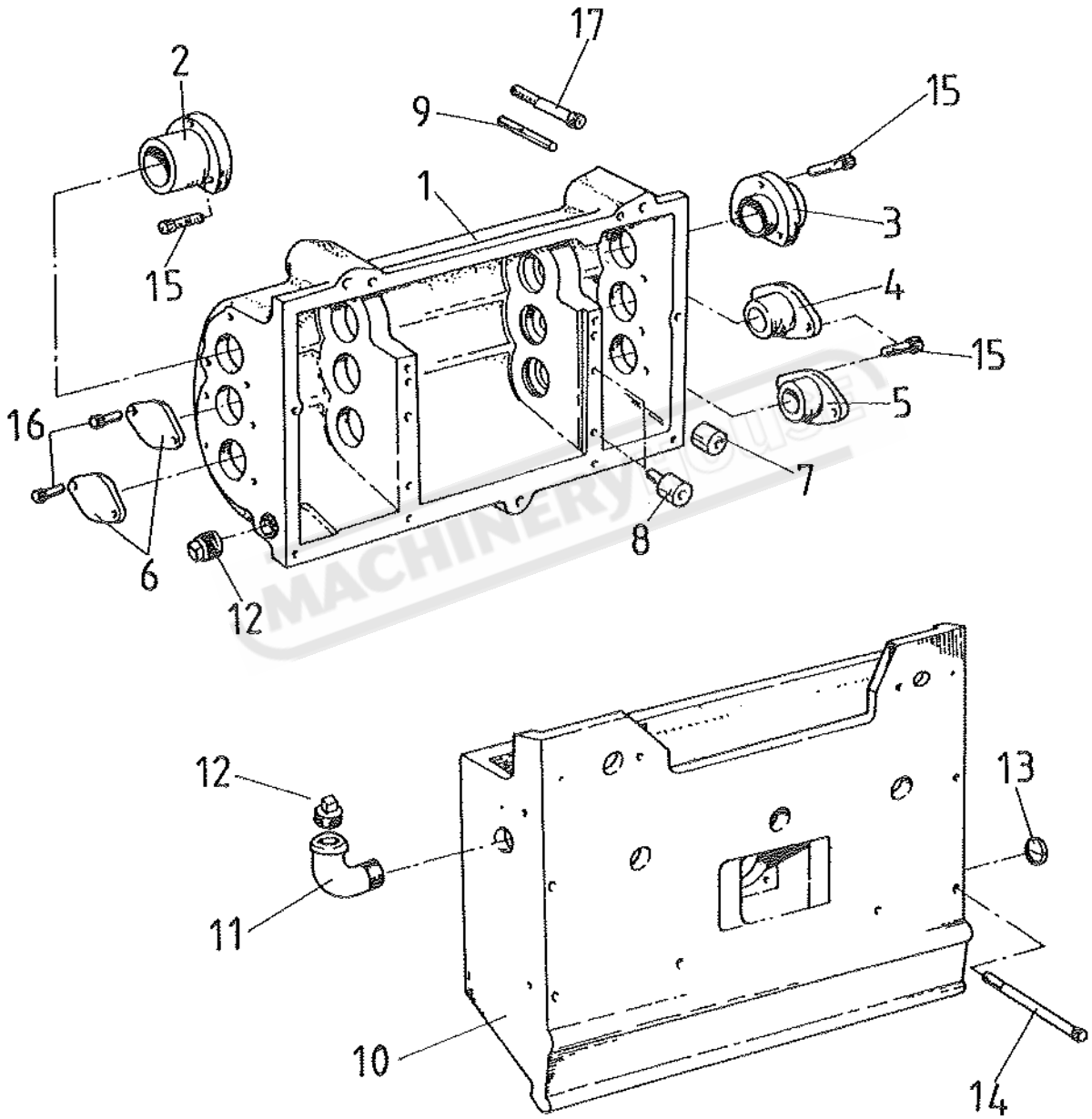
NO.	PART No.	Description	Quantity
1.	C-1249	Operating Bar	1
2.	C-1244	Lever	1
3.	C-1242	Bracket	1
4.	C-1230	Operating Lever	1
5.	C-1227	Shift Shaft	1
6.	C-1226	Shift Lever	1
7.	C-1228	Shift Fork	1
8.	C-1229	Sleeve	1
9.	C-1231	Bush	1
10.	C-3015	Washer	1
11.	C-1235	Pivot Plate	1
12.	C-1236	Bush	1
13.	C-1233	Roller	1
14.	C-1234	Roller Pin	1
15.	C-1238	Plate	1
16.	C-1239	Pin	1
17.	A-9901	Universal Jointer	1
18.	A-9900	Universal Jointer	1
19.	C-1240	Adjusting Rod	1
20.	C-1241	Adjusting Rod	1
21.	A-4021	Key	1
22.	C-1237	Spring	1
23.	C-1247	Shaft	1
24.	C-1245	Bush	1
25.	A-6005	O-Ring (P14)	1
26.	A-6010	O-Ring (P22A)	1
27.	C-1125	Bush	1
28.	A-1214	Socket Head Cap Screw (M8 x 25L)	1
29.	A-1203	Socket Head Cap Screw (M6 x 16L)	1
30.	A-1608	Flat Head Cap Screw (M5 x 16L)	4
31.	A-4005	Pin	1
32.	A-1607	Flat Head Cap Screw (M5 x 12L)	2
33.	A-1203	Socket Head Cap Screw (M6 x 16L)	2
34.	A-1725	Nut (M8-L)	1
35.	A-1702	Nut (M10)	4
36.	A-1701	Nut (M8)	2
37.	A-3100	Circlip (E6)	1
38.	A-1902	Washer	2
39.	A-4008	Pin	2
40.	A-3101	Circlip (E7)	2
41.	C-1246	Pivot	1
42.	A-1908	Washer	1
43.	A-1217	Socket Head Cap Screw (M8 x 45L)	2
44.	C-1273	Switch Plate	1
45.	R-4018	Collar	1
46.	A-1622	Flat Head Driver Screw (M4 x 30L)	2
47.	A-1729	Nut (M4)	2
48.	A-1202	Socket Head Cap Screw (M6 x 12L)	2
49.	A-1204	Socket Head Cap Screw (M6 x 20L)	1

SWING FRAME : END GEARS & COVER



NO.	PART No.	Description	Quantity
1.	C-1126	Swing Frame	1
2.	C-1127	(Inches) Gear (24T)	1
	C-1147	(Metric) Gear (28T)	1
3.	C-1128	Collar	2
4.	C-1129	Gear Shaft	1
5.	C-1130	Gear Collar	1
6.	C-1131	(Inches) Idler Gear (44T/56T)	1
	C-1149	(Metric) Idler Gear (54T/55T)	1
7.	C-1132	Washer	1
8.	C-1133	Spacer	1
9.	C-1134	Stud	1
10.	C-1135	Bush	1
11.	C-1136	(Inches) Gear (57T)	1
	C-1148	(Metric) Gear (64T)	1
12.	C-1137	Stud	1
13.	C-1138	Knurl Nut	1
14.	C-1139	Stud	2
15.	C-1140	End Cover	1
16.	A-1223	Socket Head Cap Screw	2
17.	A-2026	Bearing (#6004)	2
18.	A-1703	Nut (M12)	1
19.	A-1714	Nut	3
20.	A-1701	Nut (M8)	3
21.	A-4017	Pin	2
22.	A-3203	Circlip (R42)	2
23.	A-3314	Circlip (S35)	1
24.	C-1128	Washer	2
25.	C-8039	(VS only) Bracket for Sensor	1
26.	A-1202	(VS only) Socket Head Cap Screw (M6 x 12L)	1

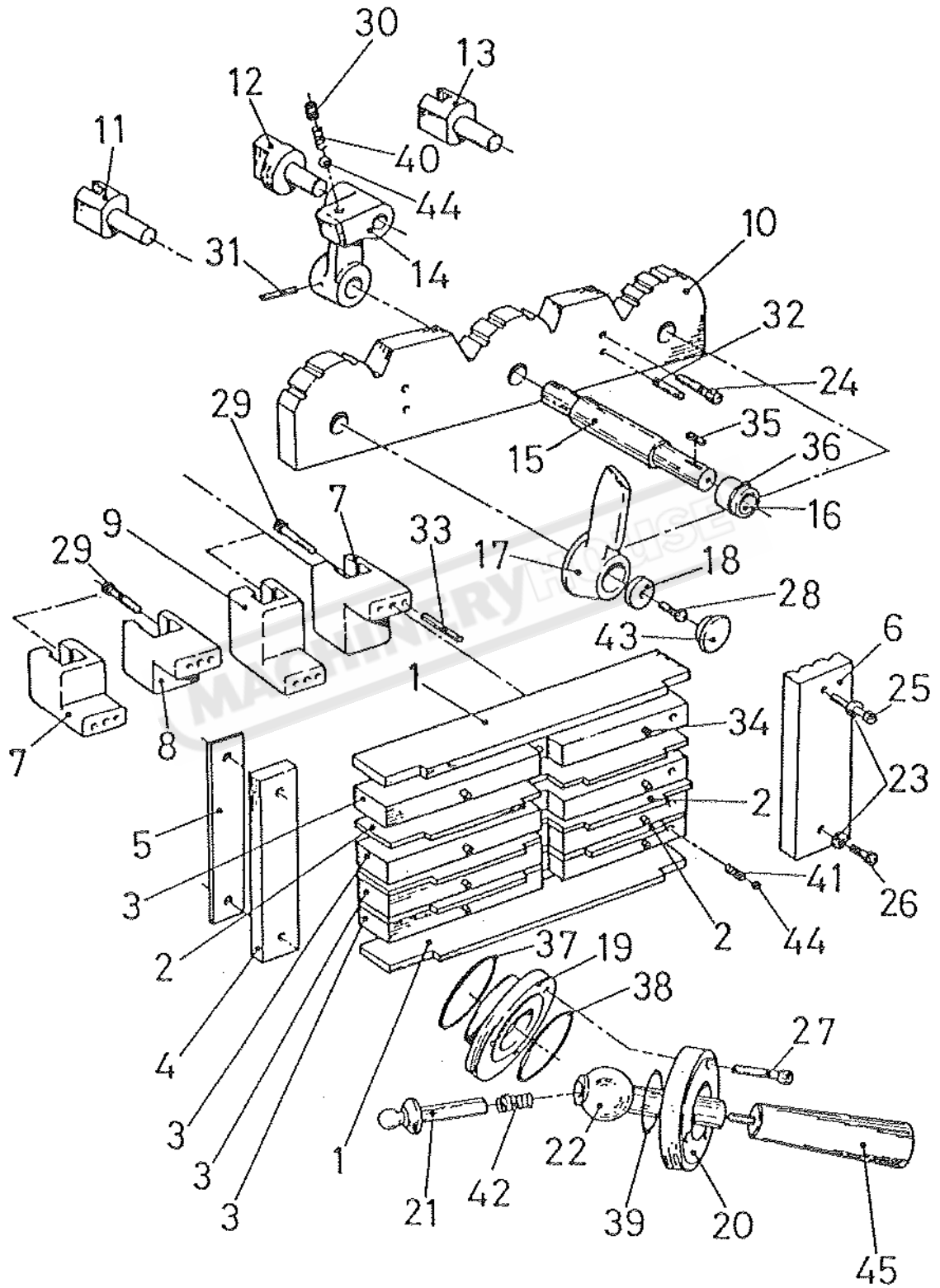
GEARBOX : CASTINGS



NO.	PART No.	Description	Quantity
1.	C-2001	Feed Gearbox Casting	1
2.	C-2002	Flanged Bearing	1
3.	C-2003	Flanged Bearing	1
4.	C-2004	Flanged Bearing	1
5.	C-2005	Flanged Bearing	1
6.	C-2006	Cover	2
7.	C-2007	Top Spacer	2
8.	C-2008	Bottom Spacer	2
9.	C-2009	Dowel	2
10.	C-2010	Front Cover	1
11.	A-1127	Elbow	1
12.	A-1126	Plug	2
13.	A-9501	Oil Sight	1
14.	A-1236	Socket Head Cap Screw (M6 x 90L)	6
15.	A-1203	Socket Head Cap Screw (M6 x 16L)	10
16.	A-1204	Socket Head Cap Screw (M6 x 20L)	4
17.	A-1242	Socket Head Cap Screw (M10 x 60L)	3

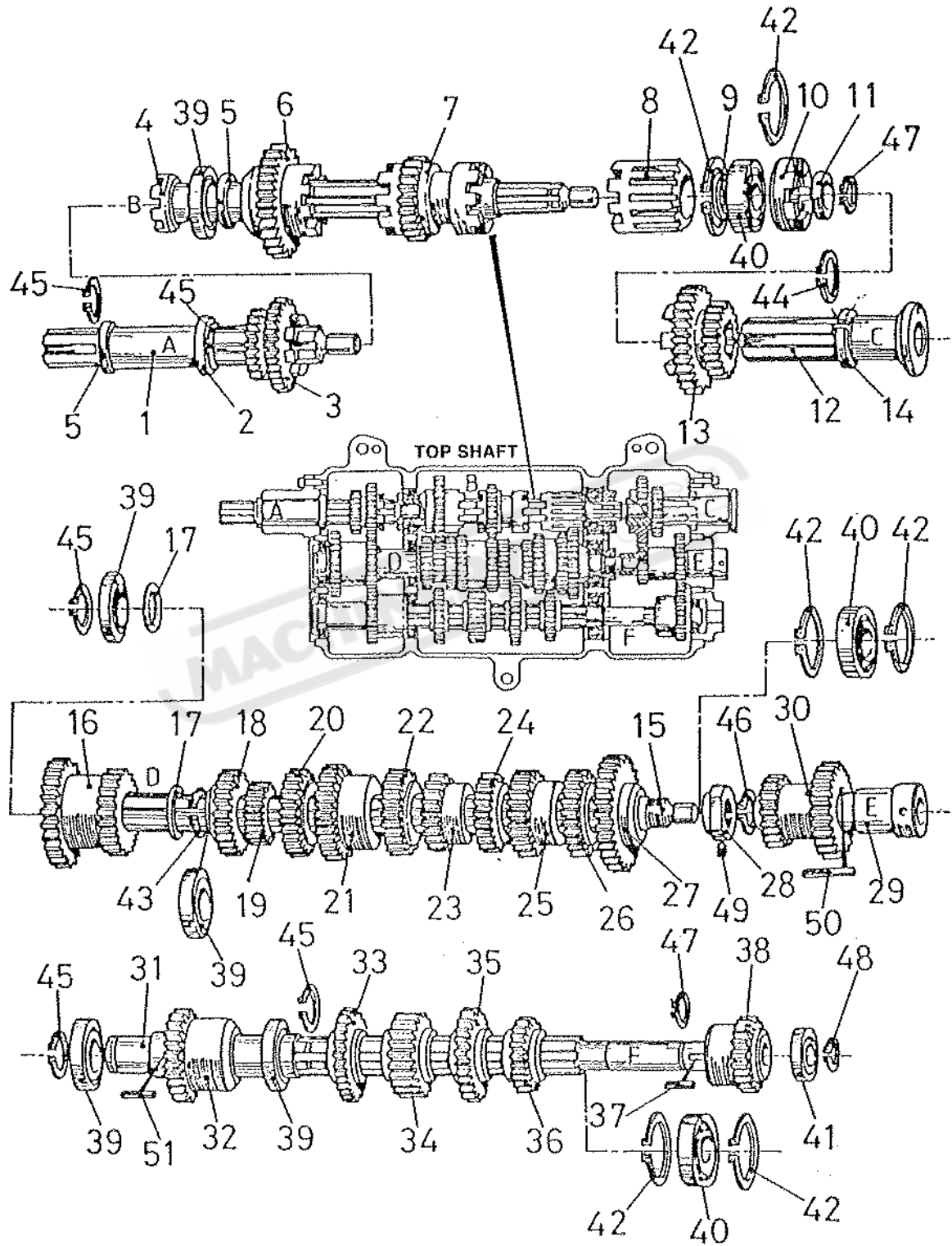
MACHINERYHOUSE

GEARBOX : CONTROLS



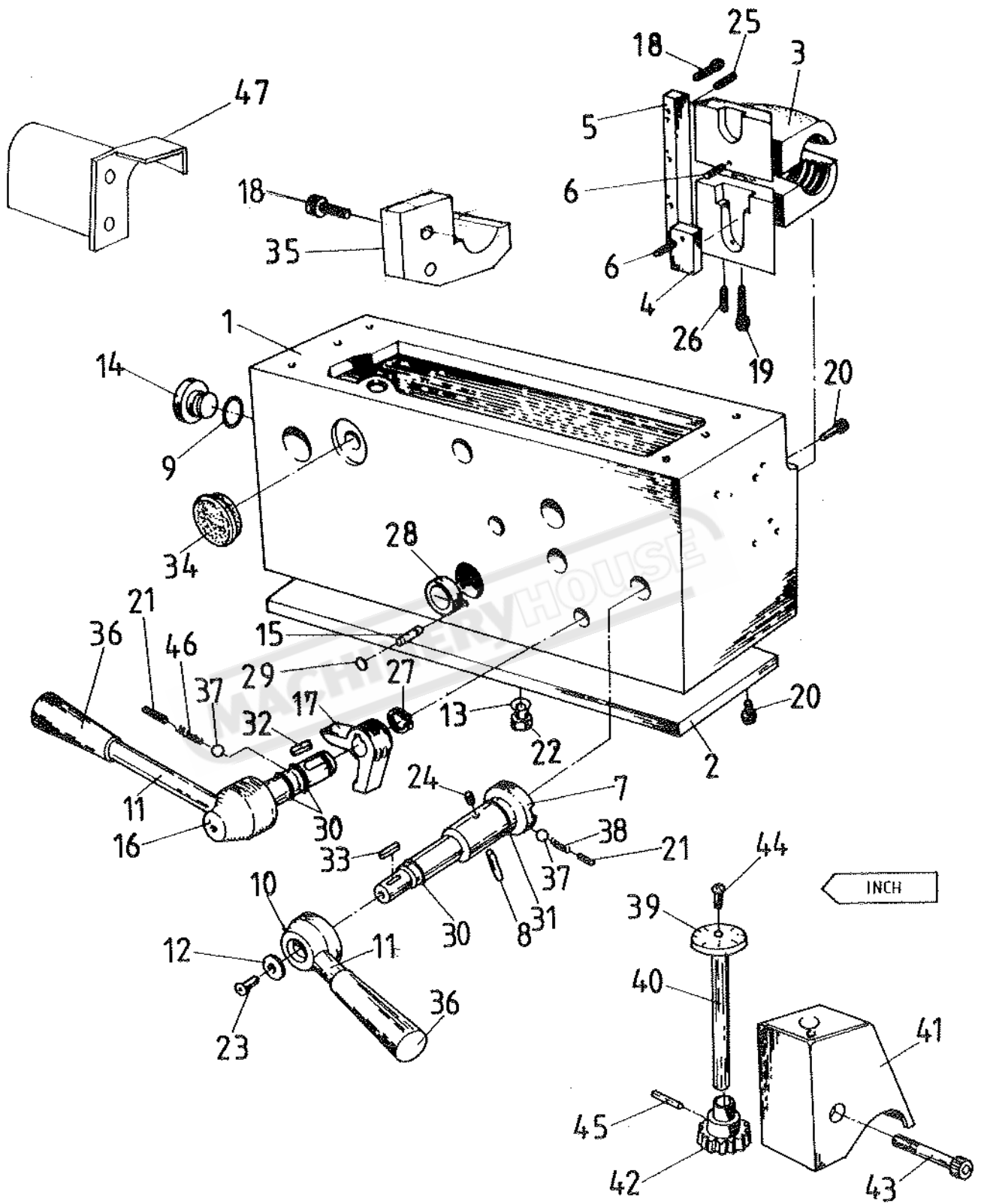
NO.	PART No.	Description	Quantity
1.	C-2013	Top & Bottom Plate	2
2.	C-2014	Dividing Plate	3
3.	C-2015	Guide Plate	4
4.	C-2016	Bar Setter	1
5.	C-2017	Spacer	2
6.	C-2018	Detent Plate	1
7.	C-2019	Fork	2
8.	C-2020	Fork	1
9.	C-2021	Fork	1
10.	C-2022	Selector Bar	1
11.	C-2023	Select Fork (Left)	1
12.	C-2024	Select Fork (Mid.)	1
13.	C-2025	Select Fork (Right)	1
14.	C-2026	Select Lever	3
15.	C-2028	Handle Shaft	3
16.	C-2029	Bush	3
17.	C-1087	Handle	3
18.	R-1030	Washer	3
19.	C-2032	Seating	1
20.	C-2033	Cover	1
21.	C-2034	Selector	1
22.	C-2035	Selector Lever	1
23.	A-1801	Washer	2
24.	A-1205	Socket Head Cap Screw (M6 x 25L)	2
25.	A-1207	Socket Head Cap Screw (M6 x 35L)	2
26.	A-1203	Socket Head Cap Screw (M6 x 15L)	2
27.	A-1206	Socket Head Cap Screw (M6 x 30L)	3
28.	A-1202	Socket Head Cap Screw (M6 x 10L)	3
29.	A-1234	Socket Head Cap Screw (M5 x 10L)	4
30.	A-1106	Socket Headless Set Screw (M8 x 8L)	3
31.	A-4203	Pin	3
32.	A-4005	Pin	2
33.	A-4000	Pin	8
34.	A-4004	Pin	8
35.	A-7201	Key (4 x 4 x 10)	3
36.	A-6005	O-Ring (P15)	3
37.	A-6018	O-Ring (P38)	1
38.	A-6017	O-Ring (P36)	1
39.	A-6015	O-Ring (P29)	1
40.	A-8405	Spring	3
41.	A-8406	Spring	4
42.	A-8407	Spring	1
43.	C-2075	Plug	3
44.	A-9202	Ball	7
45.	A-9107	Handle	1

GEARBOX : GEARS



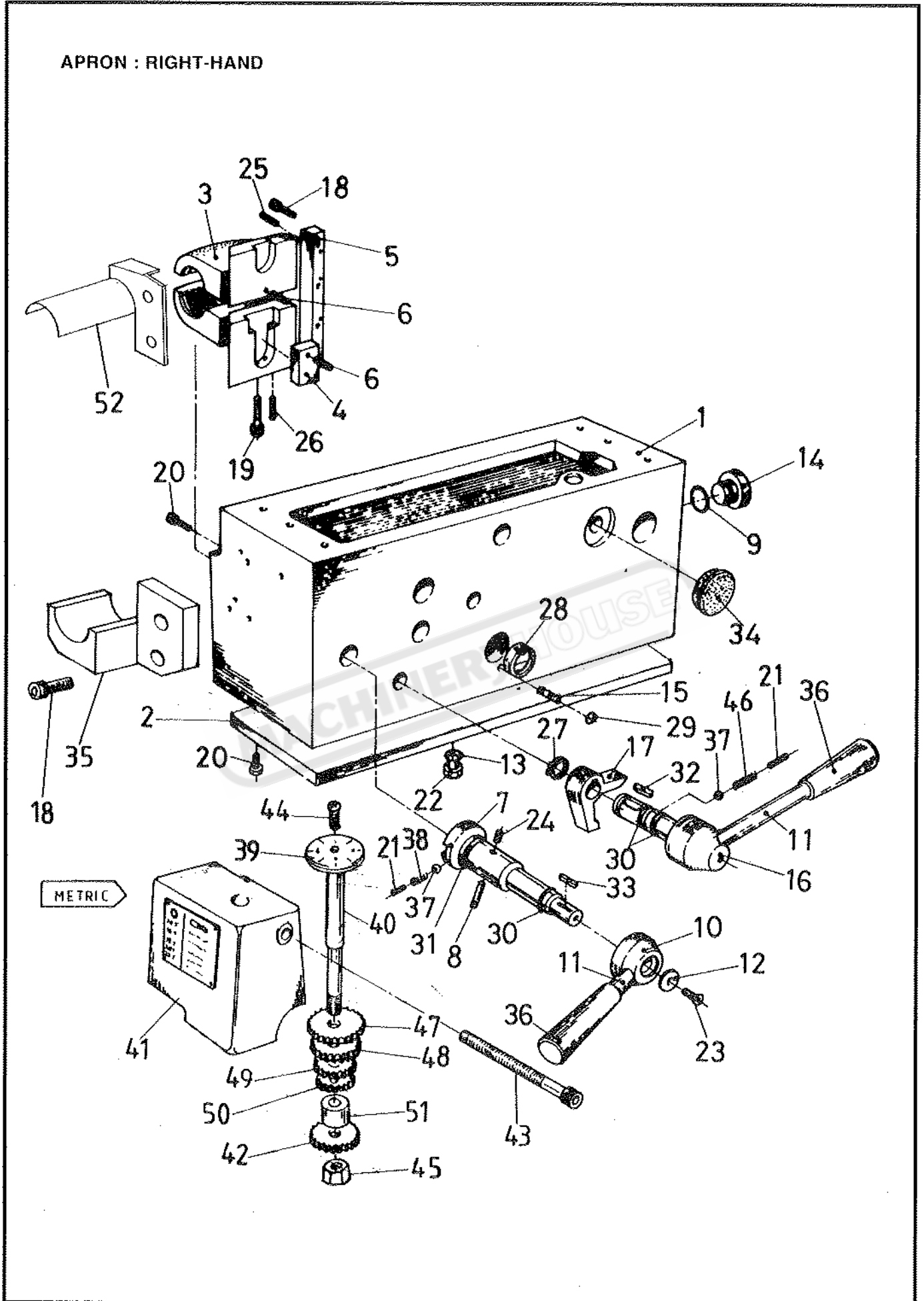
NO.	PART No.	Description	Quantity
1.	C-2037	Shaft (A)	1
2.	C-2038	Collar	1
3.	C-2039	Gear (19T/19T)	1
4.	C-2040	Shaft (B)	1
5.	C-2041	Collar	2
6.	C-2042	Gear (32T)	1
7.	C-2043	Gear (23T)	1
8.	C-2044	Gear (16T)	1
9.	C-2045	Spacer	1
10.	C-2046	Clutch	1
11.	C-2047	Collar	1
12.	C-2048	Shaft	1
13.	C-2049	Gear (35T/25T)	1
14.	C-2050	Collar	1
15.	C-2051	Shaft (D)	1
16.	C-2052	Gear (30T/20T)	1
17.	C-2053	Collar	2
18.	C-2054	Gear (22T)	1
19.	C-2055	Gear (16T)	1
20.	C-2056	Gear (20T)	1
21.	C-2057	Gear (24T)	1
22.	C-2058	Gear (23T)	1
23.	C-2059	Gear (27T)	1
24.	C-2060	Gear (24T)	1
25.	C-2061	Gear (28T)	1
26.	C-2062	Gear (26T)	1
27.	C-2063	Gear (32T)	1
28.	C-2064	Nut	1
29.	C-2065	Shaft (E)	1
30.	C-2066	Gear (18T/45T)	1
31.	C-2067	Shaft (F)	1
32.	C-2068	Gear (22T)	1
33.	C-2069	Gear (22T)	1
34.	C-2070	Gear (22T)	1
35.	C-2071	Gear (33T)	1
36.	C-2072	Gear (22T)	1
37.	A-7207	Key (5 x 5 x 25)	1
38.	C-2074	Gear (36T)	1
39.	A-2004	Bearing #16005	5
40.	A-2034	Bearing #6204	3
41.	A-2003	Bearing #16003	1
42.	A-3204	Circlip (R47)	6
43.	A-3312	Circlip (S30)	1
44.	A-3310	Circlip (S28)	1
45.	A-3309	Circlip (S25)	5
46.	A-3307	Circlip (S22)	1
47.	A-3306	Circlip (S20)	2
48.	A-3303	Circlip (S17)	1
49.	A-1100	Socket Headless Set Screw (M6 x 6L)	1
50.	A-7210	Key (5 x 5 x 40)	1
51.	A-7215	Key (6 x 6 x 30)	1

APRON : LEFT-HAND



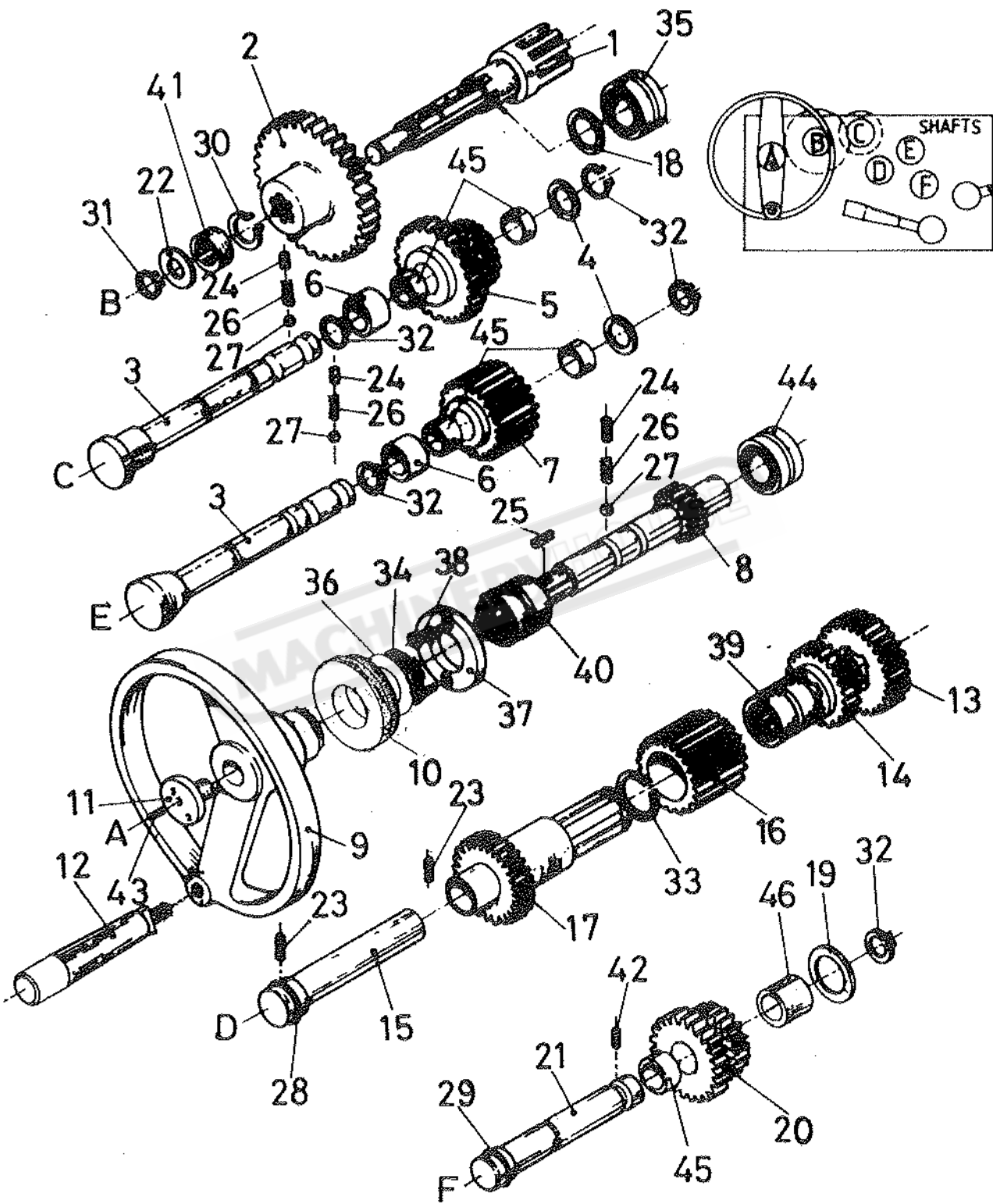
NO.	PART No.	Description	Quantity
1.	C-3001-2	Apron Casting, L.H.	1
2.	C-3002-2	Bottom Plate, L.H.	1
3.	C-3003-2	Inch Halfnut, L.H.	1
4.	C-3004	Guide Plate	1
5.	C-3005	Gib	1
6.	C-3008	Stud	2
7.	C-3010	Camshaft, L.H.	1
8.	A-1132	Socket Headless Set Screw (M10 x 40L)	1
9.	A-6008	O-Ring (P20)	1
10.	C-3013	Handle Boss	1
11.	C-3014	Handle	2
12.	C-3015	Washer	1
13.	A-6004	O-Ring (P12)	1
14.	C-3017	Plug	1
15.	C-3018	Pin	1
16.	C-3019	Lever Assembly	1
17.	C-3020	Latch	1
18.	A-1204	Socket Head Cap Screw (M6 x 20L)	5
19.	A-1208	Socket Head Cap Screw (M6 x 40L)	1
20.	A-1203	Socket Head Cap Screw (M6 x 16L)	11
21.	A-1106	Socket Headless Set Screw (M8 x 8L)	1
22.	A-1426	Hexagon Bolt (M12 x 16L)	1
23.	A-1612	Socket Flat Head Screw (M6X10L)	1
24.	A-1108	Socket Headless Set Screw (M10 x 10L)	1
25.	A-1101	Socket Headless Set Screw (M6 x 10L)	3
26.	A-1105	Socket Headless Set Screw (M6 x 30L)	1
27.	A-3304	Circlip (S18)	1
28.	A-9501	Oil Sight	1
29.	A-6000	O-Ring (P7)	1
30.	A-6007	O-Ring (P18)	3
31.	A-6012	O-Ring (P24)	1
32.	A-7205	Key (5 x 5 x 15)	1
33.	A-7228	Key (4 x 4 x 20)	1
34.	A-4505	Plug	1
35.	C-3006	Bracket	1
36.	A-9107	Handle	2
37.	A-9202	Ball	1
38.	A-8405	Spring	1
39.	NC-34	Dial (Inch)	1
40.	C-3072	Axle	1
41.	C-3075	Indicator Case	1
42.	C-3076	Dial Gear	1
43.	A-1218	Socket Head Cap Screw (M8 x 55L)	1
44.	A-1513	Cross Round Head Screw (M4 x 6L)	1
45.	A-4001	Pin	1
46.	A-8406	Spring	1
47.	C-3016	Cover	1

APRON : RIGHT-HAND



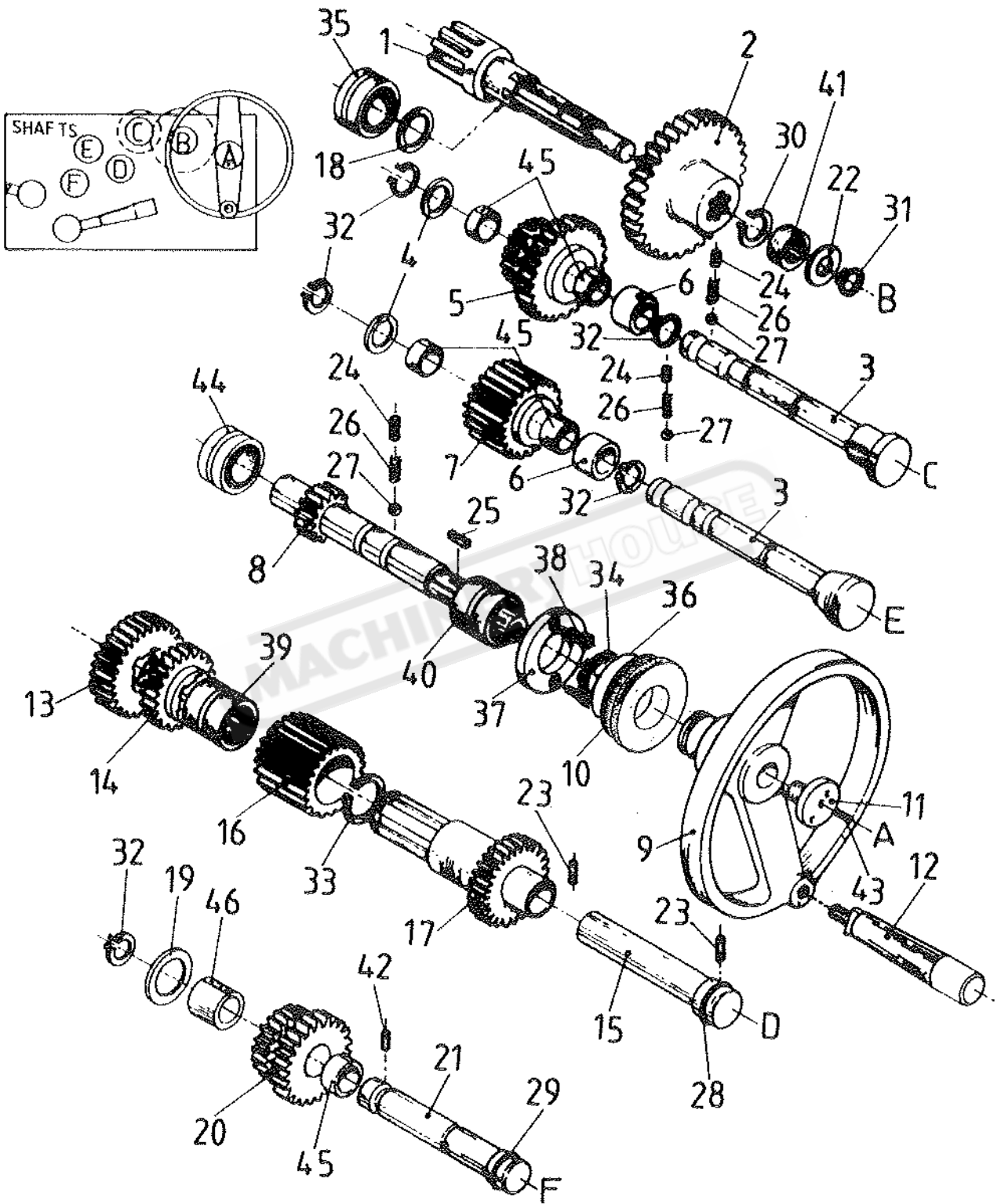
<u>NO.</u>	<u>PART No.</u>	<u>Description</u>	<u>Quantity</u>
1.	C-3001-1	Apron Casting, R.H.	1
2.	C-3002-1	Bottom Plate, R.H.	1
3.	C-3003-1	Metric Halfnut, R.H.	1
4.	C-3004	Guide Plate	1
5.	C-3005	Gib	1
6.	C-3008	Stud	2
7.	C-3010-1	Camshaft, R.H.	1
8.	A-1132	Socket Headless Set Screw (M10 x 40L)	1
9.	A-6008	O-Ring (P20)	1
10.	C-3013	Handle Boss	1
11.	C-3014	Handle	2
12.	C-3015	Washer	1
13.	A-6004	O-Ring (P12)	1
14.	C-3017	Plug	1
15.	C-3018	Pin	1
16.	C-3019	Lever Assembly	1
17.	C-3020	Latch	1
18.	A-1204	Socket Head Cap Screw (M6 x 20L)	5
19.	A-1208	Socket Head Cap Screw (M6 x 40L)	1
20.	A-1203	Socket Head Cap Screw (M6 x 16L)	11
21.	A-1106	Socket Headless Set Screw (M8 x 8L)	2
22.	A-1426	Hexagon Bolt (M12 x 16L)	1
23.	A-1612	Socket Flat Head Screw (M6 x 10L)	1
24.	A-1108	Socket Headless Set Screw (M10 x 10L)	1
25.	A-1101	Socket Headless Set Screw (M6 x 10L)	3
26.	A-1105	Socket Headless Set Screw (M6 x 30L)	1
27.	A-3304	Circlip (S18)	1
28.	A-9501	Oil Sight	1
29.	A-6000	O-Ring (P7)	1
30.	A-6007	O-Ring (P18)	3
31.	A-6012	O-Ring (P24)	1
32.	A-7205	Key (5 x 5 x 15)	1
33.	A-7228	Key (4 x 4 x 20)	1
34.	A-4505	Plug	1
35.	C-3006	Bracket	1
36.	A-9107	Handle	2
37.	A-9202	Ball	2
38.	A-8405	Spring	1
39.	NC-59	Dial (Metric)	1
40.	C-3079	Axle	1
41.	C-3078	Indicator Case	1
42.	C-3080	Gear (14T)	1
43.	A-1256	Socket Head Cap Screw (M8 x 85L)	1
44.	A-1513	Cross Round Head Screw (M4 x 6L)	1
45.	A-1708	Nut (3/8")	1
46.	A-8406	Spring	1
47.	C-3084	Gear (22T)	1
48.	C-3083	Gear (20T)	1
49.	C-3082	Gear (18T)	1
50.	C-3081	Gear (13T)	1
51.	C-3085	Collar	1
52.	C-3016	Cover	1

APRON CONTROLS : LEFT-HAND



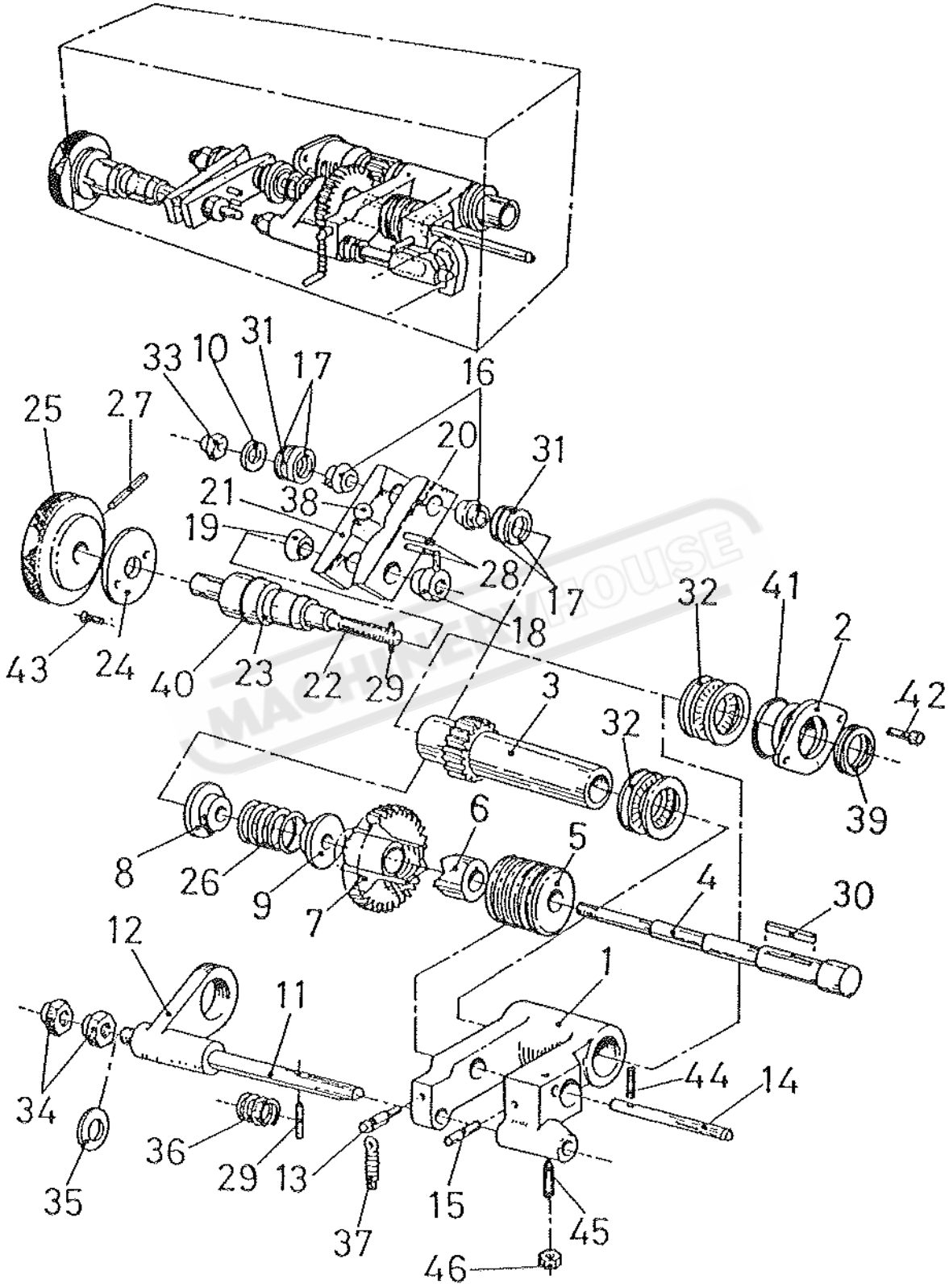
NO.	PART No.	Description	Quantity
1.	C-3021	Rack Pinion (B)	1
2.	C-3022	Gear (56T)	1
3.	C-3023	Shaft (C.E.)	2
4.	C-3024	Washer	2
5.	C-3025	Gear (15/33T)	1
6.	C-3026	Collar	2
7.	C-3028	Gear (24T)	1
8.	C-3029	Shaft (A)	1
9.	C-3030	Handwheel	1
10.	C-3093-1	Dial (Inches)	1
11.	C-3032	Plug	1
12.	C-3034	Handle	1
13.	C-3035	Gear (27T)	1
14.	C-3036	Gear (24T)	1
15.	C-3037	Shaft (D)	1
16.	C-3038	Pinion Gear	1
17.	C-3039	Pinion Shaft	1
19.	C-3041	Washer	1
20.	C-3042	Gear (24T/26T)	1
21.	C-3043	Shaft (F)	1
22.	C-3012	Washer	1
23.	A-1101	Socket Headless Set Screw (M6 x 10L)	2
24.	A-1106	Socket Headless Set Screw (M8 x 8L)	3
25.	A-7206	Key (5 x 5 x 20)	1
26.	A-8405	Spring	3
27.	A-9202	Ball	3
28.	A-6009	O-Ring (P21)	1
29.	A-6007	O-Ring (P18)	1
30.	A-3307	Circlip (S22)	1
31.	A-3302	Circlip (S16)	1
32.	A-3304	Circlip (S18)	5
33.	A-3310	Circlip (S28)	1
34.	A-3313	Circlip (S32)	1
35.	A-2076	Bearing(NA6922)	1
36.	A-1912	Wave Washer(BWW6204)	1
37.	C-3094	Collar	1
38.	A-1610	Recessed Flat Head Screw (M6 x 12L)	2
39.	A-2107	Needle Bearing (TAF 30.40.30)	1
40.	A-2108	Needle Bearing (TAF 25.33.16)	1
41.	A-2066	Bearing (BA105)	1
42.	A-1100	Socket Headless Set Screw (M6 X 6)	1
43.	A-1105	Socket Headless Set Screw (M6 X 30)	1
44.	A-2068	Bearing (NA6905)	1
45.	A-2116	Bearing (70B-1815)	5
46.	A-2118	Bearing (70B-1810)	1

APRON CONTROLS : RIGHT-HAND



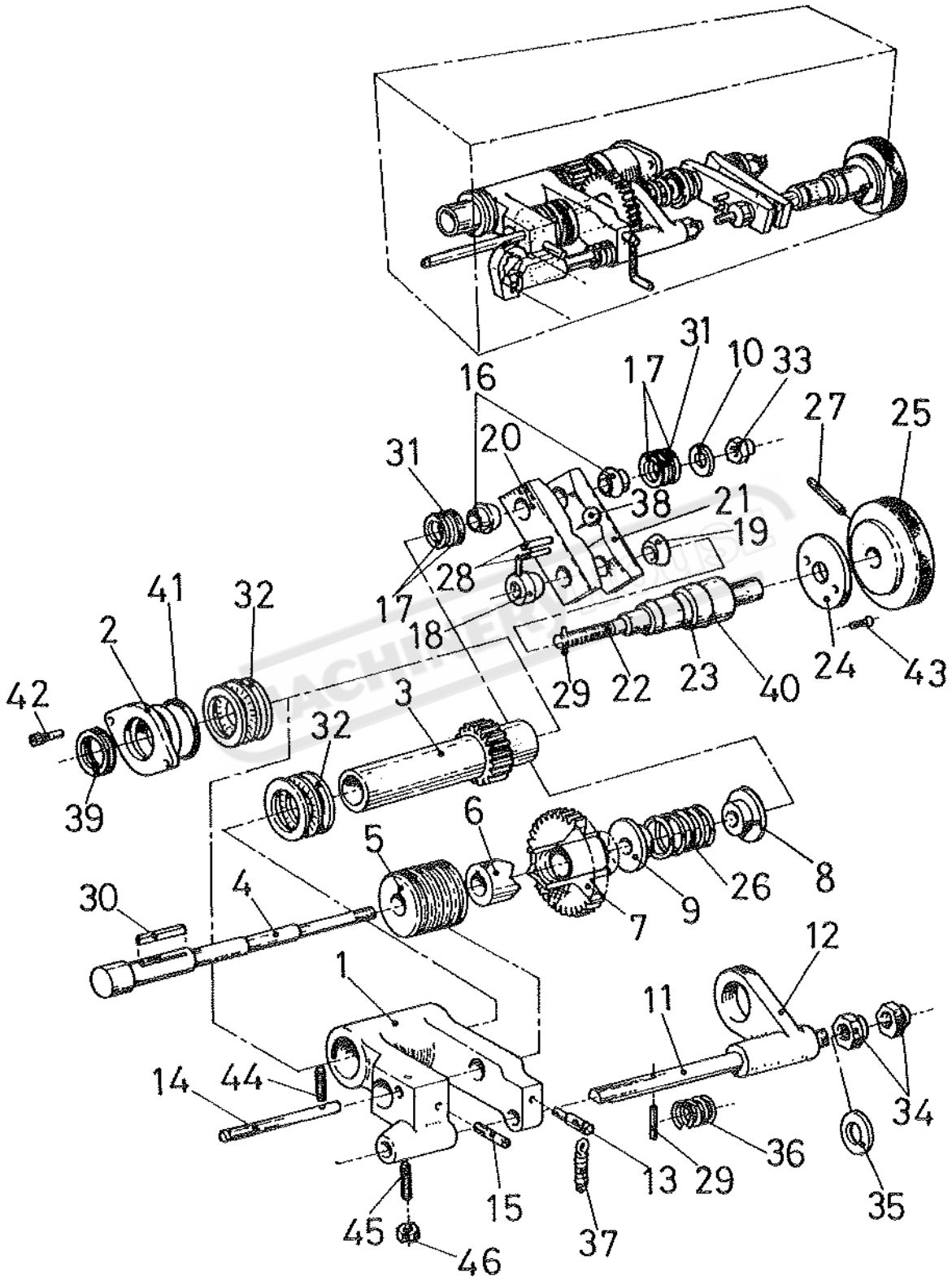
NO.	PART No.	Description	Quantity
1.	C-3021	Rack Pinion (B)	1
2.	C-3022	Gear (56T)	1
3.	C-3023	Shaft (C.E.)	2
4.	C-3024	Washer	2
5.	C-3025	Gear (15T/33T)	1
6.	C-3026	Collar	2
7.	C-3028	Gear (24T)	1
8.	C-3029	Shaft (A)	1
9.	C-3030	Handwheel	1
10.	C-3093	Dial (Metric)	1
11.	C-3032	Plug	1
12.	C-3034	Handle	1
13.	C-3035	Gear (27T)	1
14.	C-3036	Gear (24T)	1
15.	C-3037	Shaft (D)	1
16.	C-3038	Pinion Gear	1
17.	C-3039	Pinion Shaft	1
19.	C-3041	Washer	1
20.	C-3042	Gear (24T/26T)	1
21.	C-3043	Shaft (F)	1
22.	C-3012	Washer	1
23.	A-1101	Socket Headless Set Screw (M6 x 10L)	2
24.	A-1106	Socket Headless Set Screw (M8 x 8L)	3
25.	A-7206	Key (5 x 5 x 20)	1
26.	A-8405	Spring	3
27.	A-9202	Ball	3
28.	A-6009	O-Ring (P21)	1
29.	A-6007	O-Ring (P18)	1
30.	A-3307	Circlip (S22)	1
31.	A-3302	Circlip (S16)	1
32.	A-3304	Circlip (S18)	5
33.	A-3310	Circlip (S28)	1
34.	A-3313	Circlip (S32)	1
35.	A-2076	Bearing (NA6922)	1
36.	A-1912	Wave Washer (BWW6204)	1
37.	C-3094	Collar	1
38.	A-1610	Recessed Flat Head Screw (M6 x 12L)	2
39.	A-2107	Needle Bearing (TAF 30.40.30)	1
40.	A-2108	Needle Bearing (TAF 25.33.16)	1
41.	A-2066	Bearing (BA105)	1
42.	A-1100	Socket Headless Set Screw (M6 X 6)	1
43.	A-1105	Socket Headless Set Screw (M6 X 30)	1
44.	A-2068	Bearing (NA6905)	1
45.	A-2116	Bearing (70B-1815)	5
46.	A-2118	Bearing (70B-1810)	1

APRON : WORMBOX. LEFT-HAND



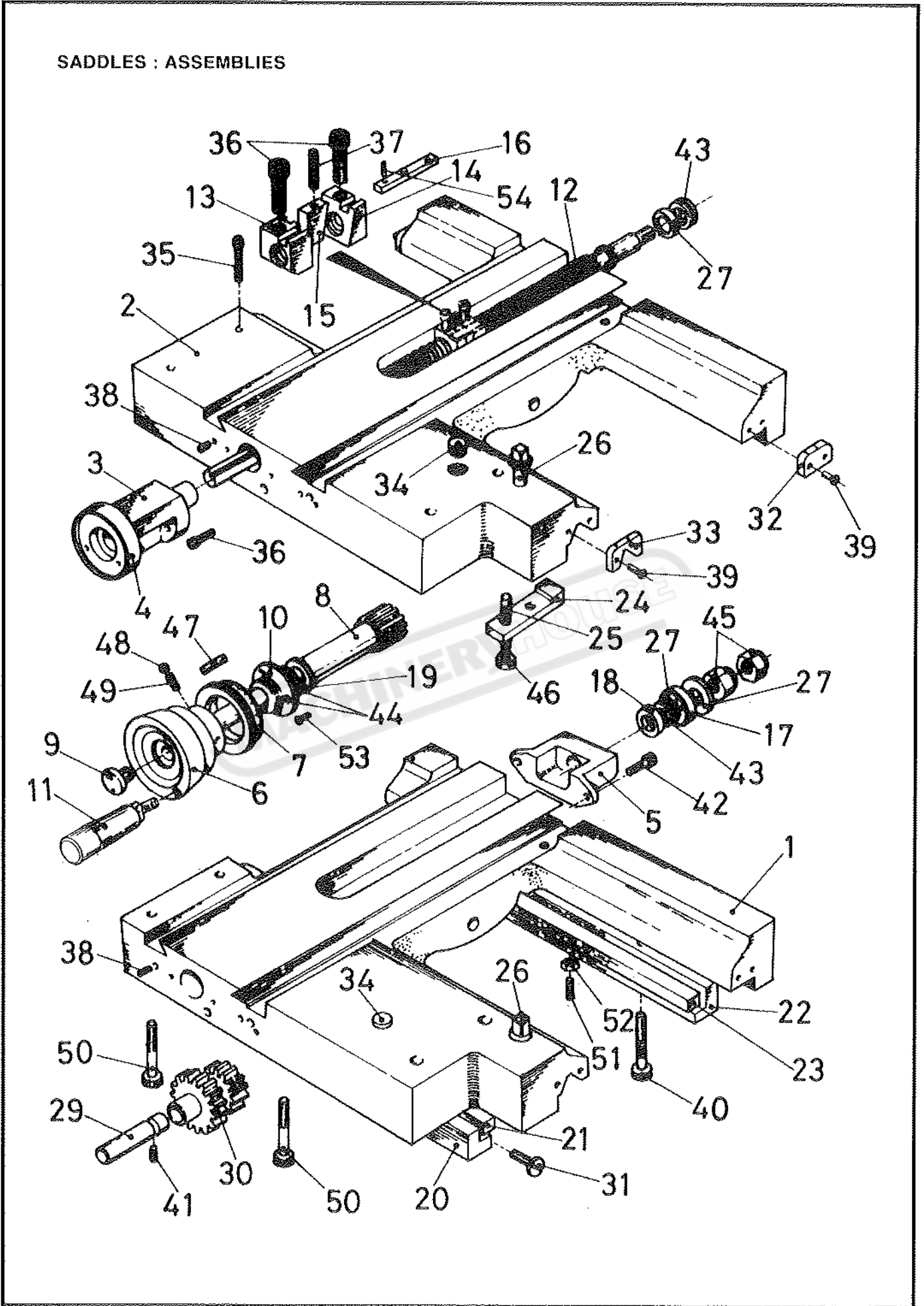
NO.	PART No.	Description	Quantity
1.	C-3044-2	Worm Set, L.H.	1
2.	C-3045	Bush Assembly	2
3.	C-3046	Pinion	1
4.	C-3048	Trip Shaft	1
5.	C-3049	Worm	1
6.	C-3050	Bush	1
7.	C-3051	Clutch Gear Assembly	1
8.	C-3052-1	Collar	1
9.	C-3052-2	Collar	1
10.	C-3053	Washer	1
11.	C-3054	Rod	1
12.	C-3055	Lever	1
13.	C-3056	Stud	1
14.	C-3057	Inter-lock Shaft	1
15.	C-3058	Stud	1
16.	C-3059	Dent	2
17.	C-3060	Washer	4
18.	C-3061	Dent	1
19.	C-3063	Dent	1
20.	C-3064	Plate	1
21.	C-3065	Plate	1
22.	C-3066	Adjusting Shaft	1
23.	C-3067	Coupling Assembly	1
24.	C-3069	Adapting Plate	1
25.	C-3070	Adjusting Knob	1
26.	C-3092	Spring	1
27.	A-4011	Pin	1
28.	A-4005	Pin	3
29.	A-4001	Pin	1
30.	A-7229	Key(5x5x45)	1
31.	A-2000	Bearing #1528 AS	2
32.	A-2002	Bearing #3047 AS	3
33.	A-1719	Nylon Nut	1
34.	A-1709	Nut	2
35.	C-1132	Washer	1
36.	A-8408	Spring	1
37.	A-8409	Spring	1
38.	A-9205	Ball	1
39.	A-5009	Oil Seal	2
40.	A-6009	O-Ring (P21)	1
41.	A-6020	O-Ring (P42)	2
42.	A-1203	Socket Head Cap Screw (M6 x 16L)	4
43.	A-1601	Cross Recessed Head Screw (3/16"x 3/8")	2
44.	A-1100	Socket Headless Set Screw (M6 x 6L)	2
45.	A-1103	Socket Headless Set Screw (M6 x 16L)	1
46.	A-1700	Nut (M6)	1

APRON : WORMBOX. RIGHT-HAND



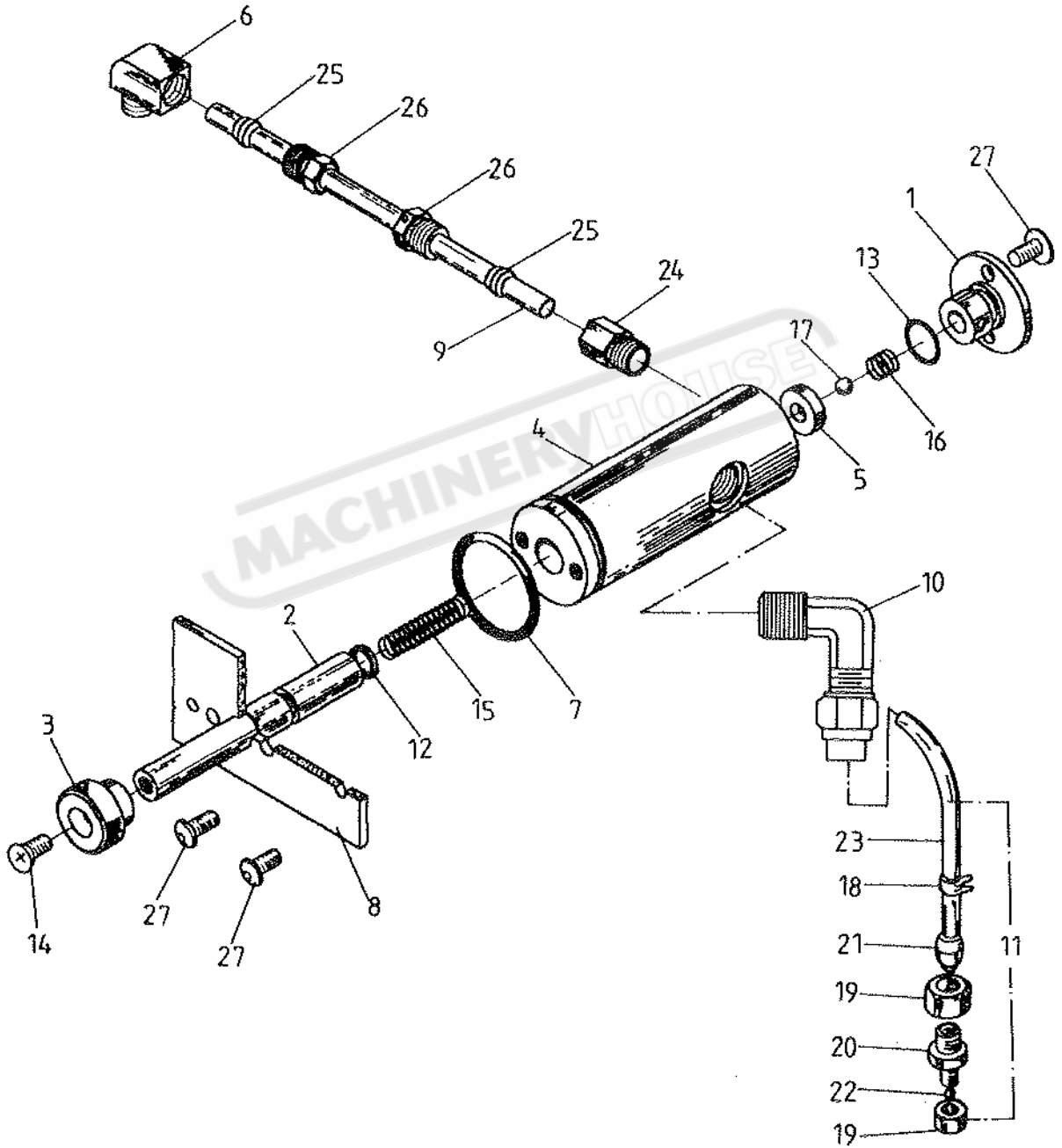
NO.	PART No.	Description	Quantity
1.	C-3044-1	Worm Set, R.H.	1
2.	C-3045	Bush Assembly	2
3.	C-3046	Pinion	1
4.	C-3048	Trip Shaft	1
5.	C-3049	Worm	1
6.	C-3050	Bush	1
7.	C-3051	Clutch Gear Assembly	1
8.	C-3052-1	Collar	1
9.	C-3052-2	Collar	1
10.	C-3053	Washer	1
11.	C-3054	Rod	1
12.	C-3055	Lever	1
13.	C-3056	Stud	1
14.	C-3057	Inter-lock Shaft	1
15.	C-3058	Stud	1
16.	C-3059	Dent	2
17.	C-3060	Washer	4
18.	C-3061	Dent	1
19.	C-3063	Dent	1
20.	C-3064	Plate	1
21.	C-3065	Plate	1
22.	C-3066	Adjusting Shaft	1
23.	C-3067	Coupling Assembly	1
24.	C-3069	Adapting Plate	1
25.	C-3070	Adjusting Knob	1
26.	C-3092	Spring	1
27.	A-4011	Pin	1
28.	A-4005	Pin	3
29.	A-4001	Pin	1
30.	A-7229	Key (5 x 5 x 45)	1
31.	A-2000	Bearing (#1528 AS)	2
32.	A-2002	Bearing (#3047 AS)	3
33.	A-1719	Nylon Nut	1
34.	A-1709	Nut	2
35.	C-1132	Washer	1
36.	A-8408	Spring	1
37.	A-8409	Spring	1
38.	A-9205	Ball	1
39.	A-5009	Oil Seal	2
40.	A-6009	O-Ring (P21)	1
41.	A-6020	O-Ring (P42)	2
42.	A-1203	Socket Head Cap Screw (M6 x 16L)	4
43.	A-1601	Cross Recessed Head Screw (3/16" x 3/8")	2
44.	A-1100	Socket Headless Set Screw (M6 x 6L)	2
45.	A-1103	Socket Headless Set Screw (M6 x 16L)	1
46.	A-1700	Nut (M6)	1

SADDLES : ASSEMBLIES



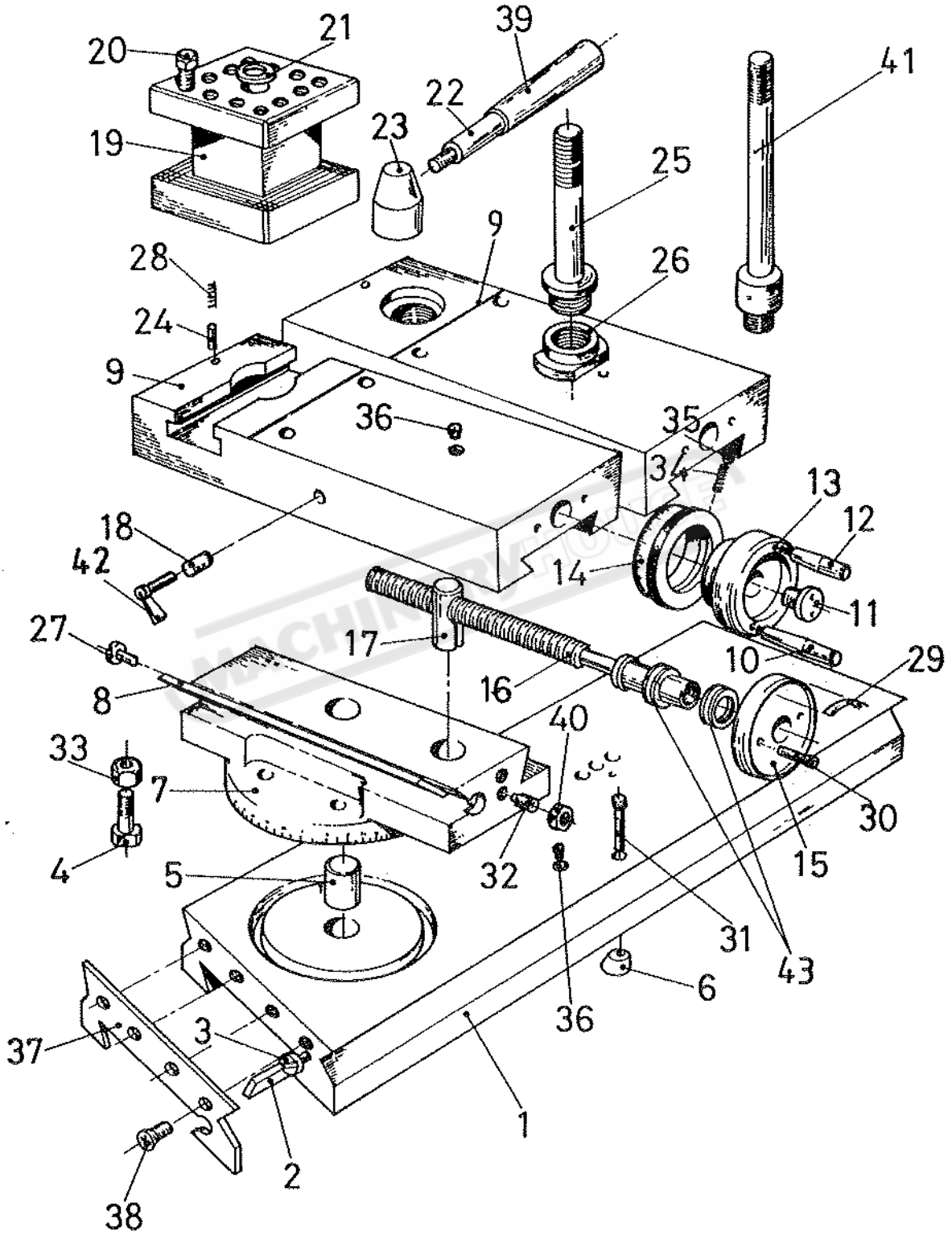
<u>NO.</u>	<u>PART No.</u>	<u>Description</u>	<u>Quantity</u>
1.	C-4001-1	Saddle Casting, R.H.	1
2.	C-4001-2	Saddle Casting, L.H.	1
3.	C-4002	Keep Assembly	1
4.	C-4003	Collar	1
5.	C-4004	Bracket	1
6.	C-4005-2	Handwheel	1
7.	C-4006-1	Index Ring, (Metric)	1
	C-4006-2	Index Ring, (Inches)	1
	C-4006-3	Index Ring, (Dual Dial)	1
8.	C-4007	Pinion	1
9.	C-3032	Plug	1
10.	C-4009	Collar	1
11.	C-4011	Handle	1
12.	C-4012-1	Leadscrew, (Metric)	1
	C-4012-2	Leadscrew, (Inches)	1
13.	C-4013-1	Nut Assembly, (Metric)	1
	C-4013-2	Nut Assembly, (Inches)	1
14.	C-4014-1	Nut Assembly, (Metric)	1
	C-4014-2	Nut Assembly, (Inches)	1
15.	C-4015	Gib	1
16.	C-4016	Guide Plate	1
17.	C-4017	Shield	1
18.	C-4018	Shield	1
19.	C-8033	Spacer	1
20.	C-4020	Strip, (Front)	1
21.	C-4047	Gib, (Front)	1
22.	C-4020-1	Strip, (Rear)	1
23.	C-4021-1	Gib, (Rear)	1
24.	C-4022	Clamp	1
25.	A-1134	Socket Headless Set Screw (M8 x 40L)	1
26.	C-4025	Square Head Bolt	1
27.	C-4026	Washer	3
29.	C-4030	Shaft	1
30.	C-4031	Gear	1
31.	C-4032	Gib Screw	2
32.	C-4033	Flat Wipper	2
33.	C-4034	Vee Wipper	2
34.	A-9503	Plug	1
35.	A-1243	Socket Head Cap Screw (M10 x 65L)	4
36.	A-1213.	Socket Head Cap Screw (M8 x 20L)	4
37.	A-1104	Socket Headless Set Screw (M6 x 20L)	1
38.	A-1106	Socket Headless Set Screw (M8 x 8L)	1
39.	A-1605	Cross Recessed Head Screw (M5 x 10L)	8
40.	A-1215	Socket Head Cap Screw (M8 x 30L)	6
41.	A-1100	Socket Headless Set Screw (M6 x 6L)	1
42.	A-1214	Socket Head Cap Screw (M8 x 25L)	2
43.	A-2000	Bearing (#1528)	2
44.	A-2001	Bearing (#AS2035)	2
45.	A-1734	Nut	1
46.	A-1701	Nut	1
47.	A-7202	Key (4 x 4 x 15)	1
48.	A-9202	Ball	2
49.	A-8410	Spring	2
50.	A-1215	Socket Head Cap Screw (M8 x 30L)	2
51.	A-1311	Socket Headless Set Screw (M6 x 25L)	3
52.	A-1700	Nut (M6)	3
53.	A-1509	Round Head Cap Screw (M5 x 10L)	3
54.	A-4023	Pin	1

SADDLE : LUBRICATION



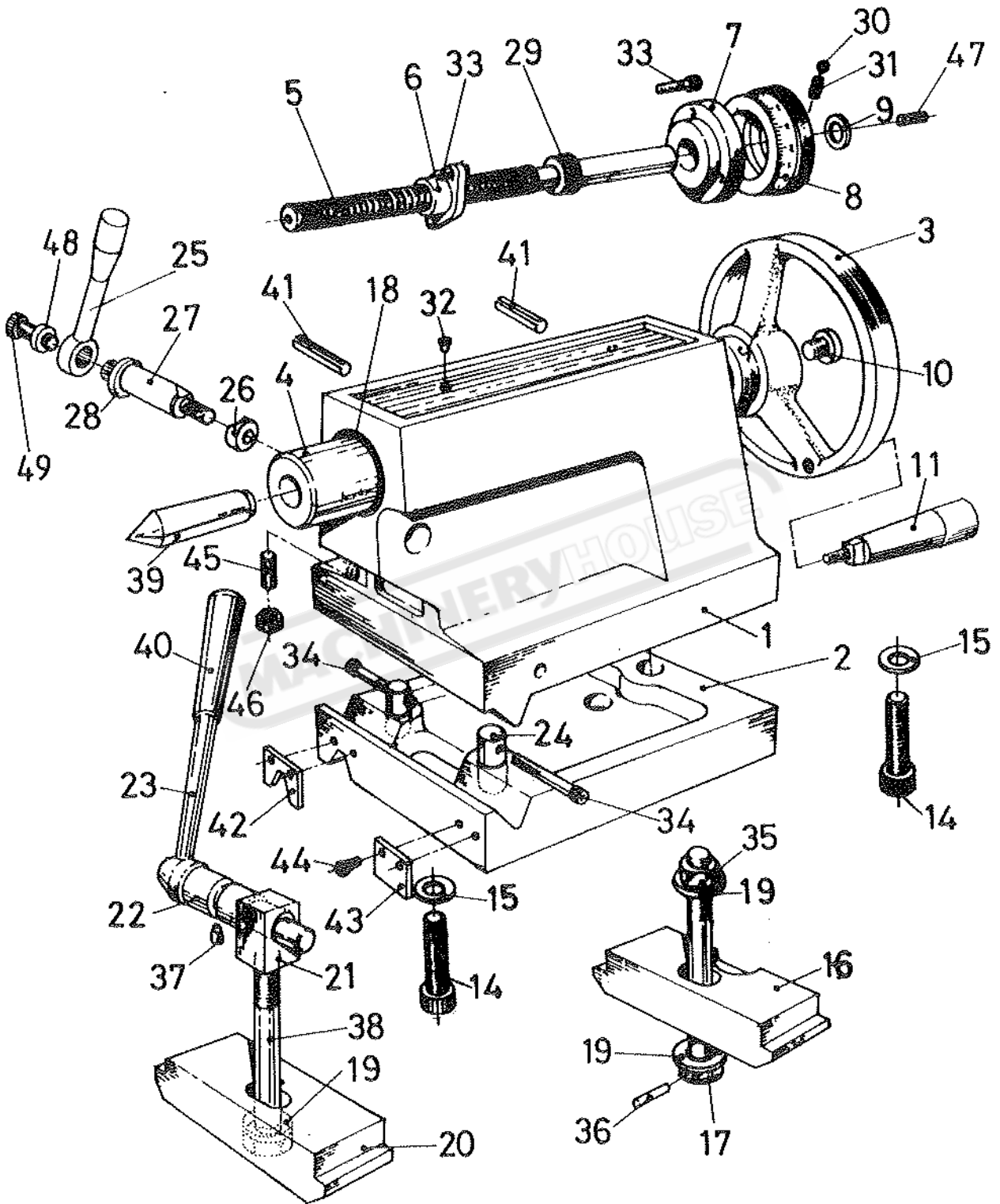
NO.	PART No.	Description	Quantity
1.	C-4036	Cover	1
2.	C-4037	Axle	1
3.	C-4038	Button	1
4.	C-4039	Pump	1
5.	C-4040	Plug	1
6.	A-9619	Joint	1
7.	A-6016	O-Ring	1
8.	NC-31	Name Plate	1
9.	A-9307	Outlet Tube	1
10.	A-9308	Inlet Valve	1
11.	A-9309	Intake Valve Assembly	1
12.	A-6000	O-Ring (P7)	1
13.	A-6002	O-Ring (P10A)	1
14.	A-1509	Cross Recessed Head Screw (M5 x 10)	1
15.	A-8412	Spring	1
16.	A-8413	Spring	1
17.	A-9206	Ball	1
18.	A-9317	Clip	1
19.	A-9311	Nut	2
20.	A-9312	By-pass	1
21.	A-9315	Sleeve	1
22.	A-9205	Ball	1
23.	A-9313	Tube	1
24.	A-9610	Jointer	1
25.	A-9635	Joint Tube	2
26.	A-9634	Nut	2
27.	A-1509	Round Head Cap Screw (M5 x 10)	6

SLIDES : ASSEMBLIES



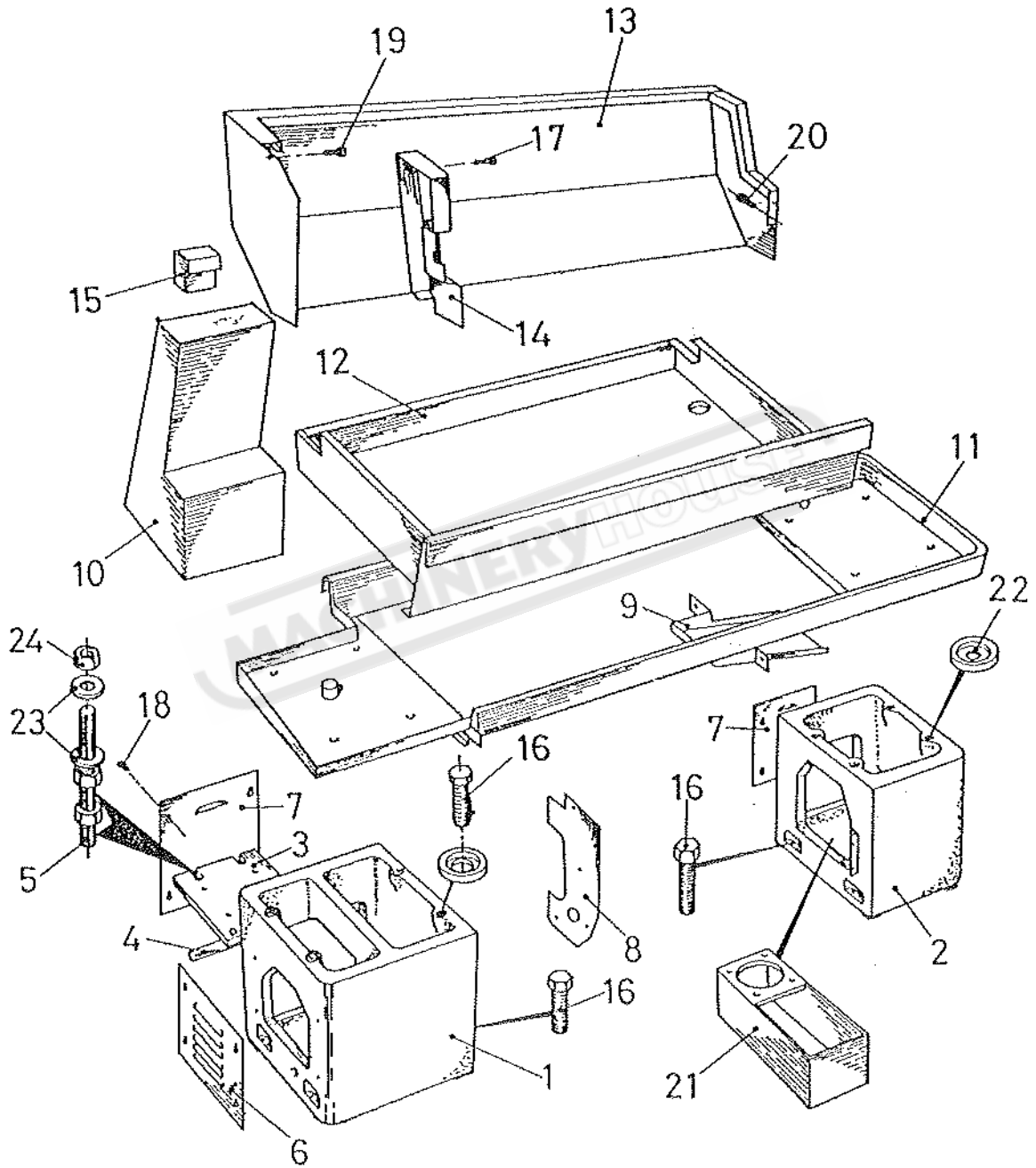
NO.	PART No.	Description	Quantity
1.	C-5001	Cross Slide Assembly	1
2.	C-5002	Gib	1
3.	C-4032	Gib Screw	2
4.	C-5004	Bolts	4
5.	C-5005	Pivot	1
6.	C-5006	Locking Pad	1
7.	C-5007	Swivel Slide	1
8.	C-5008	Gib	1
9.	C-5009-2	Slotted Top Slide	1
	C-5009	Top Slide	1
10.	C-5010-1	Long Handle	1
11.	C-5011	Plug	1
12.	C-5012-1	Short Handle	1
13.	C-5013-2	Handwheel Assembly	1
14.	C-5014-1	Index Ring (Metric)	1
	C-5014-2	Index Ring (Inch)	1
	C-5014-7	Index Ring (Metric/Inch)	1
	C-5014-8	Index Ring (Inch/Metric)	1
15.	C-5015	Keep Assembly	1
16.	C-5017-1	Leadscrew (Metric)	1
	C-5017-2	Leadscrew (Inch)	1
17.	C-5018-1	Nut (Metric)	1
	C-5018-2	Nut (Inch)	1
18.	C-5019	Pad	1
19.	C-5023-2	4 Way Toolpost	1
20.	C-5024-2	Square Head Screws	12
21.	C-5025	Washer	1
22.	C-5026-1	Handle	1
23.	C-5027-1	Handle Boss	1
24.	C-5028	Pin	1
25.	C-9062	Slotted Top Slide Stud	1
26.	C-9063	Slotted Top Slide Clamp Nut	1
27.	C-4032	Gib Screw	2
28.	A-8512	Spring	1
29.	NC-38	Marking Plate (Dual Dial only)	1
30.	A-1204	Socket Head Cap Screw (M6 x 20L)	3
31.	A-1205	Socket Head Cap Screw (M6 x 25L)	1
32.	A-1103	Socket Headless Set Screw (M6 x 15L)	2
33.	A-1708	Nuts	4
34.	A-8411	Spring	2
35.	A-9202	Ball	2
36.	A-9300	Oilers	6
37.	C-5029	Wipper	1
38.	A-1509	Cross Recessed Head Screw (M5 x 10L)	3
39.	A-9107	Handle	1
40.	A-1700	Nut (M6)	2
41.	C-5022	Top Slide Stud	1
42.	A-4516	Handle Set Screw	1
43.	A-2021	Bearing 51103	2

TAILSTOCK



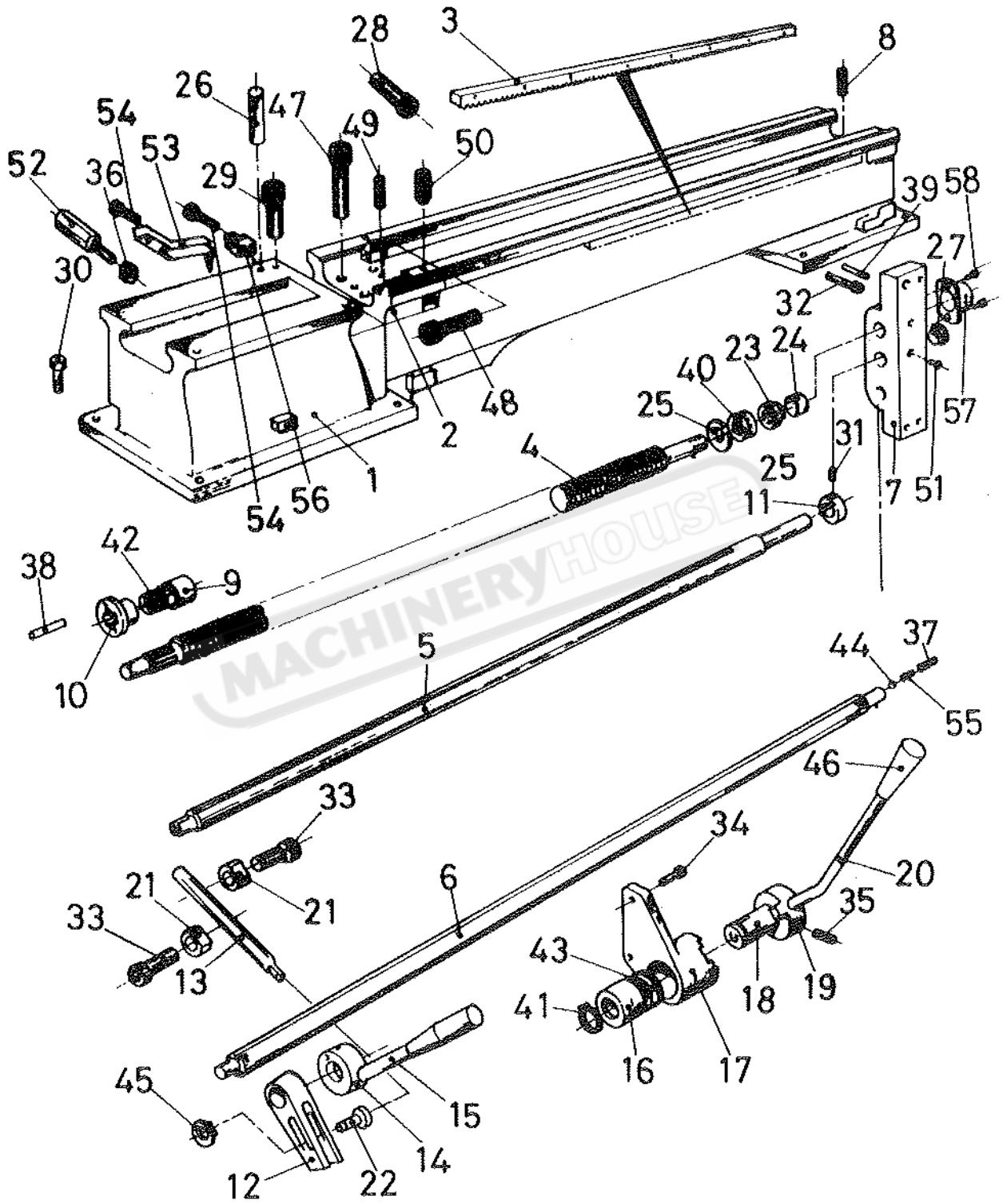
NO.	PART No.	Description	Quantity
1.	C-6001	Tailstock Casting	1
2.	C-6002	Tailstock Base	1
3.	C-6003	Handwheel	1
4.	C-6004	Barrel	1
5.	C-6005-1	Leadscrew(Metric)	1
	C-6005-2	Leadscrew(Inch)	1
6.	C-6006-1	Nut (Metric)	1
	C-6006-2	Nut (Inch)	1
7.	C-6007	Keeper	1
8.	C-6008-1	Index Ring (Metric)	1
	C-6008-2	Index Ring (Inch)	1
9.	C-6009	Washer	1
10.	C-6010	Plug	1
11.	C-3034	Handle	1
14.	A-1208	Socket Head Cap Screw (M6 x 40L)	2
15.	R-1030	Washers	2
16.	C-6015	Clamp Plate	1
17.	A-1437	Hexagon Head Bolt (M16 x 140L)	1
18.	A-5025	Oil Seal (58.72.9)	1
19.	A-1907	Washers	3
20.	C-6019	Clamp Plate	1
21.	C-6022	Pivot Block	1
22.	C-6023	Crank Shaft	1
23.	C-6024	Handle	1
24.	C-6025	Pins	2
25.	C-6029	Handle	1
26.	C-6030	Clamp Bush	1
27.	C-6031	Clamp Bush	1
28.	C-6032	Shaft	1
29.	A-2022	Thrust Bearing #51104	1
30.	A-9202	Ball	2
31.	A-8414	Spring	2
32.	A-9300	Oilers	2
33.	A-1204	Socket Head Cap Screw (M6 x 20L)	5
34.	A-1218	Socket Head Cap Screw (M8 x 55L)	2
35.	A-1720	Nut (M16)	1
36.	A-4005	Pin (ϕ 5 x 20L)	1
37.	A-1130	Socket Headless Set Screw (M5 x 15L)	1
38.	A-1430	Hexagon Head Bolt (M16 x 90L)	1
39.	C-6033	Centre (#4 MT.)	1
40.	A-9107	Handles	1
41.	C-6026	Pins	2
42.	C-6035	Wippers (Vee)	2
43.	C-6036	Wippers (Flat)	2
44.	A-1605	Recessed Flat Head Screw (M5 x 10L)	8
45.	A-1132	Socket Headless Cap Screw (M10 x 40L)	1
46.	A-1702	Nut (M10)	1
47.	A-1105	Socket Headless Cap Screw (M6 x 30L)	1
48.	R-1030	Washer	1
49.	A-1203	Socket Head Cap Screw (M6x16L)	1

CABINET & PANELS



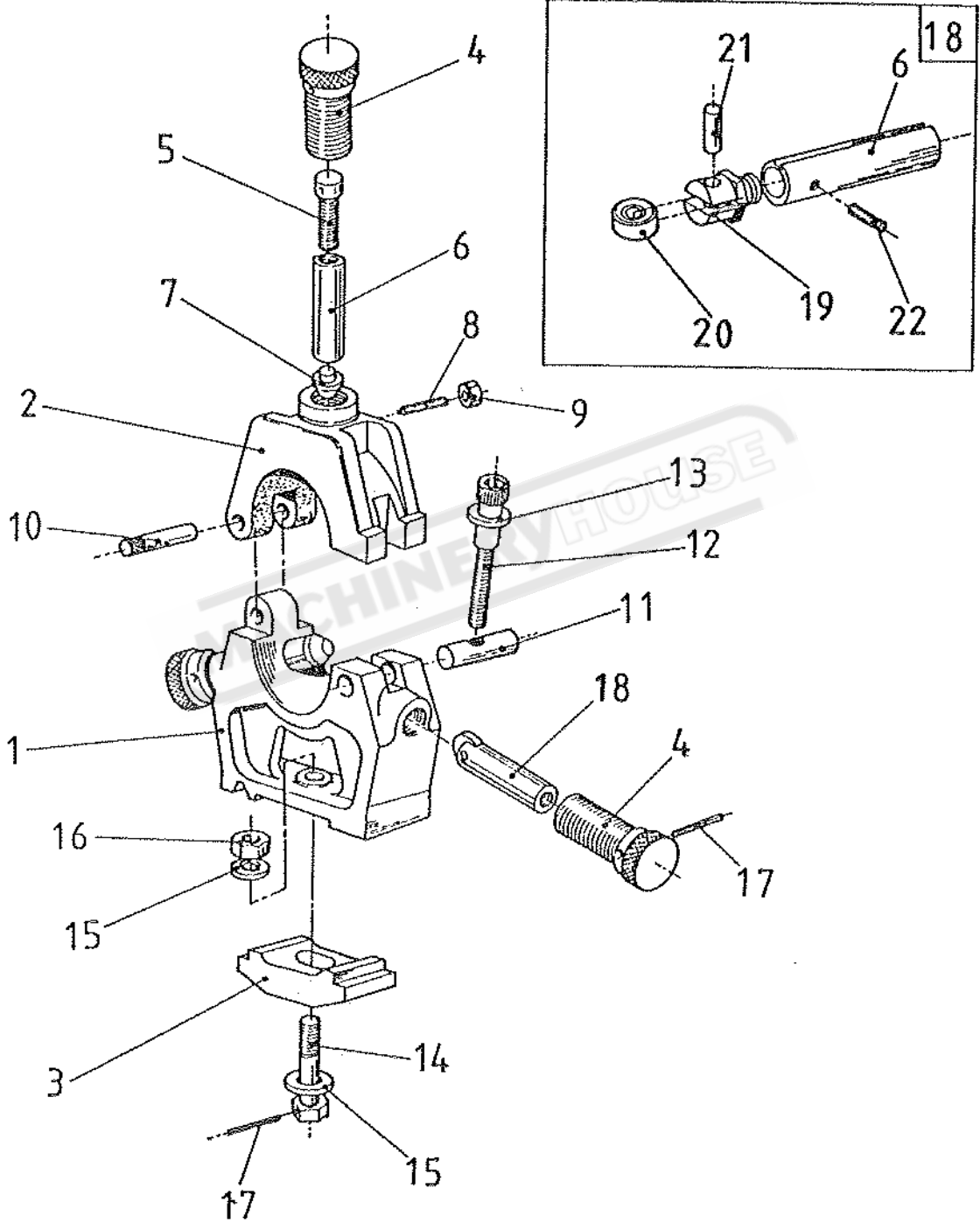
NO.	PART No.	Description	Quantity
1.	C-7001	Plinth, Head-End	1
2.	C-7002	Plinth, Tail-End	1
3.	C-7003	Platform	1
4.	C-7004	Adjusted Rod	1
5.	C-7005	Adjusted Screw	2
6.	T-7037	Motor Cover	1
7.	C-7008	Rear Cover	2
8.	C-7013	Gearbox Guard	1
9.	C-7014	Chute	1
10.	C-8107	Electrical Cabinet (CE Model)	1
	C-8107-1	Electrical Cabinet (VS Model)	1
	C-8107-2	Electrical Cabinet (CE Model W/Clutch)	1
	C-8025	Electrical Cabinet Box (Standard)	1
	C-8031	Electrical Cabinet Cover (Standard)	1
11.	C-7016	Tray	1
	C-7016-1	Tray (CE & VS Model)	1
12.	C-7018	Chip Tray	1
13.	C-7019	Splash Guard	1
	C-7019-1	Splash Guard (Extra Depth)	1
14.	C-7020	Brake Guard	1
15.	C-8038	Meter Box (VS Model only)	1
16.	A-1428	Hexagon Head Bolt (M16 x 65L)	16
17.	A-1202	Socket Head Cap Screw (M6 x 12L)	3
18.	A-1512	Cross Recessed Head Screw (M6 x 10L)	12
19.	A-1256	Socket Head Cap Screw (M8 x 85L)	2
20.	A-1204	Socket Head Cap Screw (M6 x 20L)	2
21.	C-9029	Coolant Tank	1
22.	C-7024	Washer	8
23.	A-1905	Washer	4
24.	A-1703	Nut (M12)	6

BED & SHAFTS



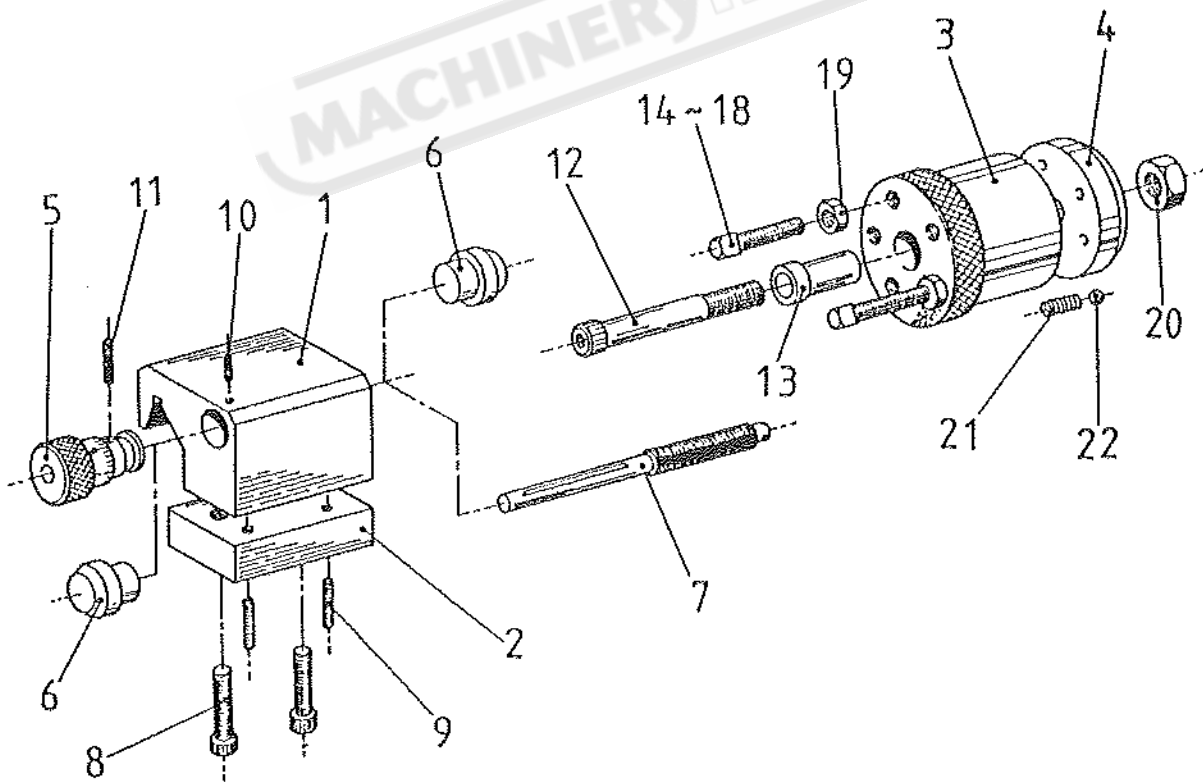
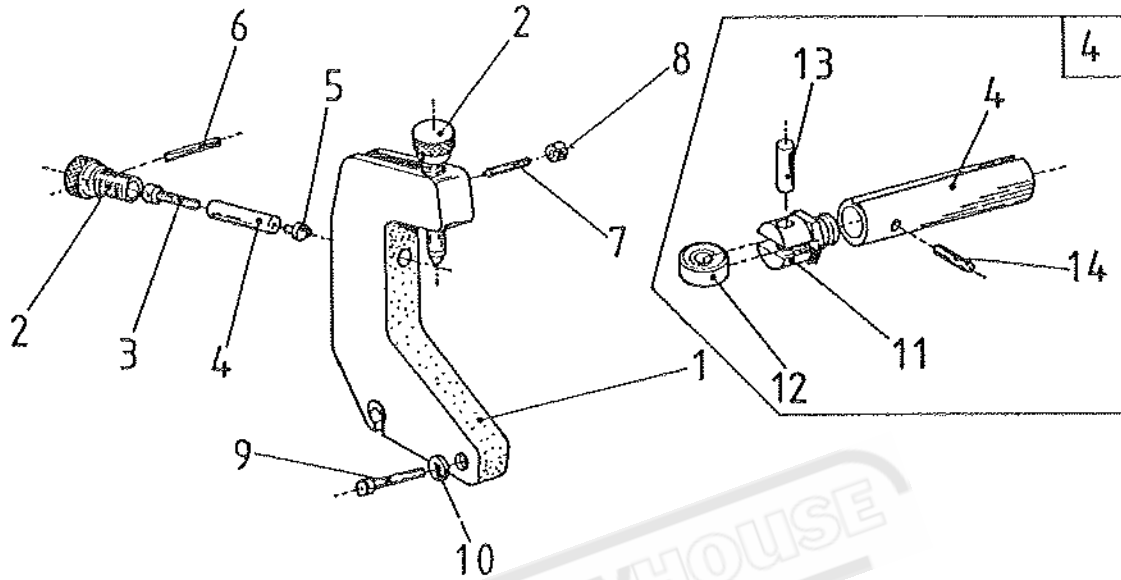
NO.	PART No.	Description	Quantity
1.	C-8001	Bed	1
2.	C-8001-2	Gap Piece	1
3.	C-8002	Rack Set	1
4.	C-8003	Leadscrew	1
5.	C-8004	Feed Shaft	1
6.	C-8005	Switch Rod	1
7.	C-8006	End Bracket	1
8.	C-8007	Stop Pin	1
9.	C-8009	Collar	1
10.	C-8010	Sleeve	1
11.	C-8011	Collar	1
12.	C-8012	Connector	1
13.	C-8013	Connecting Bar	1
14.	C-8017-1	Collar	1
	C-8017-2	Collar (Clutch Machine)	1
15.	A-1234	Round Head Drive Screw (5x10)	1
16.	C-8016	Sleeve	1
17.	C-8017	Bracket	1
18.	C-8018	Bushing	1
19.	C-8019	Lever Assembly	1
20.	C-8020	Lever	1
21.	T-7024	Tracer	2
22.	C-8022	Stud	1
23.	A-1258	Nut	1
24.	C-8029	Dome Nut	1
25.	C-8033	Collar	2
26.	T-7003	Pin	1
27.	C-2075	Plug	1
28.	A-1205	Socket Head Cap Screw (M6 x 25L)	10
29.	A-1241	Socket Head Cap Screw (M12 x 35L)	4
30.	A-1428	Hexagon Head Bolt (M16 x 65L)	8
31.	A-1101	Socket Headless Set Screw (M6 x 10L)	1
32.	A-1258	Socket Head Cap Screw (M8 x 35L)	2
33.	A-1204	Socket Head Cap Screw (M6 x 20L)	2
34.	A-1203	Socket Head Cap Screw (M6 x 15L)	2
35.	A-1104	Socket Headless Set Screw (M6 x 20L)	2
36.	A-1701	Nut	2
37.	A-1112	Socket Headless Set Screw (M12 x 12L)	1
38.	C-2048-1	Pin	1
39.	A-4015	Pin	2
40.	A-2022	Bearing (#51104)	2
41.	A-3313	Circlip (S32)	1
42.	A-8415	Spring	1
43.	A-8416	Spring	1
44.	A-9205	Ball	1
45.	A-3102	Circlip (E8)	1
46.	A-9108	Handle	1
47.	A-1257	Socket Headless Cap Screw (M12 x 55L)	2
48.	A-1217	Socket Head Cap Screw (M8 x 45L)	2
49.	A-4205	Pin	2
50.	A-1100	Socket Headless Set Screw (M6 x 6L)	2
51.	A-9300	Oiler	2
52.	T-7034	Hexagon Bolt	2
53.	T-8024	Flow Guard	1
54.	A-1202	Socket Head Cap Screw (M6 x 12L)	4
55.	A-8401	Spring	1
56.	C-8027	Switch Plate	1
57.	C-8008	Cover	1
58.	A-1231	Socket Head Cap Screw (M6 x 10)	2

STEADY REST-HEAVY DUTY TYPE



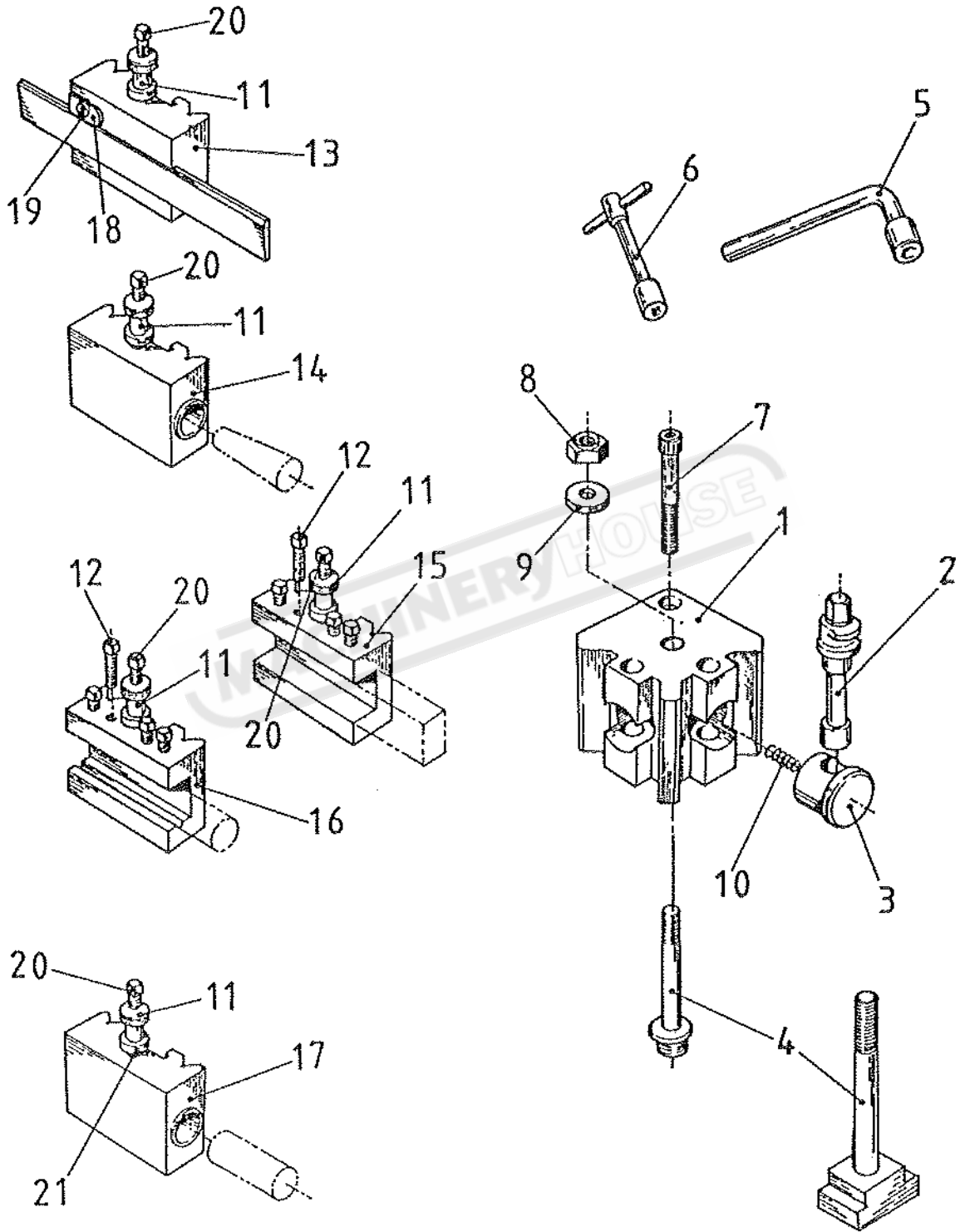
NO.	PART No.	Description	Quantity
1.	C-9042	Bottom Body	1
2.	C-9041	Top Body	1
3.	C-6015	Clamp Plate	1
4.	C-9048	Collar	3
5.	C-9047	Adjusting Screw	3
6.	C-9046	Finger	3
7.	C-9045	Finger Pad	3
8.	A-1136	Socket Headless Set Screw (M8 x 25L)	3
9.	A-1701	Nut (M8)	3
10.	C-9040	Pivot	1
11.	C-9044	Pivot	1
12.	A-1228	Socket Head Cap Screw	1
13.	A-1803	Washer	1
14.	A-1438	Socket Head Cap Screw (M16 x 100L)	1
15.	A-1907	Washer	2
16.	A-1720	Nut (M16)	1
17.	A-4009	Pin	4
18.	C-9046A	Roller Finger Assembly (Optional)	3
19.	C-9046-1	Roller Seat (Optional)	3
20.	A-2039	Bearing (6000ZZ) (Optional)	3
21.	C-9046-2	Pin (Optional)	3
22.	A-1100	Socket Headless Set Screw (M6 x 6L) (Optional)	3

FOLLOW REST & BEDSTOPS



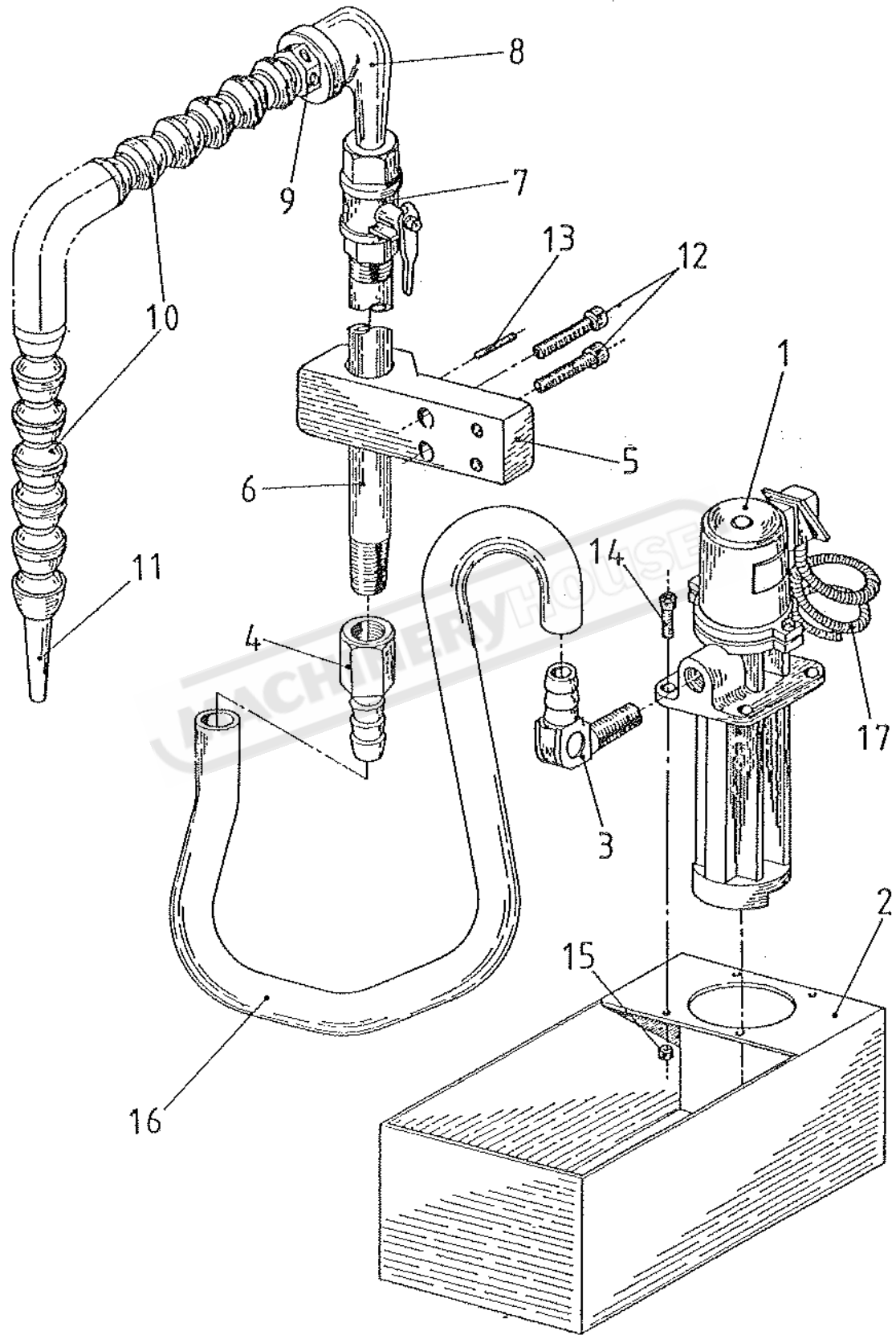
NO.	PART No.	Description	Quantity
FOLLOW REST			
1.	C-9049	Body	1
2.	C-9048	Collar	2
3.	C-9047	Adjusting Screw	2
4.	C-9046	Finger	2
5.	C-9045	Finger Pad	2
6.	A-4009	Pin	2
7.	A-1136	Socket Headless Set Screw (M8 x 25L)	2
8.	A-1701	Nut (M8)	2
9.	A-1217	Socket Head Cap Screw (M8 x 45L)	2
10.	A-1802	Washer	2
11.	C-9046-1	Roller Seat (Optional)	2
12.	A-2039	Bearing (6000ZZ) (Optional)	2
13.	C-9046-2	Pin (Optional)	2
14.	A-1100	Socket Headless Set Screw (M6 x 6L) (Opt.)	2
BEDSTOPS			
1.	C-9001	Body	1
2.	C-9002	Clamp	1
3.	C-9053	Turret	1
4.	C-9054	Backplate	1
5.	C-9003	Micrometer Dial	1
6.	C-9004	Pad (Single Type)	2
7.	C-9005	Spindle	1
8.	A-1213	Socket Head Cap Screw (M8 x 20L)	2
9.	A-1103	Socket Headless Set Screw (M6 x 16L)	2
10.	A-1139	Socket Headless Set Screw (M6 x 8L)	1
11.	A-4023	Pin	1
12.	A-1259	Spindle Screw	1
13.	C-9055	Bush	1
14.	C-9056-1	Stop Screw (67L)	1
15.	C-9056-2	Stop Screw (83L)	1
16.	C-9056-3	Stop Screw (99L)	1
17.	C-9056-4	Stop Screw (115L)	1
18.	C-9056-5	Stop Screw (134L)	1
19.	A-1707	Nut	5
20.	A-1708	Nut	1
21.	A-8519	Spring	1
22.	A-9202	Ball	1

QUICK CHANGE TOOLPOST



NO.	PART No.	Description	Quantity
1.	C-9100	Q.C.T. Body	1
2.	C-9102	Toolholder Cams	2
3.	C-9103	Toolholder Pads	2
4.	C-5021-1	Toolpost Bolt Assembly	1
	C-9062	Slotted Toolpost Bolt Assembly	1
5.	A-8528	Toolscrew Wrench	1
6.	A-8529	Cam Clamp Wrench	1
7.	A-1251	Locating Screw (M10 x 75L)	1
8.	A-1720	Nut	1
9.	R-3011	Washer	1
10.	A-8424	Spring	2
11.	C-9106	Adjusting Stop (On Each Toolholder)	1
12.	C-9107	Tool Clamp Screw (On No. 15/16 Toolholder)	4
13.	C-9108	Part-off Toolholder	1
14.	C-9109	M.T.3 Taper Toolholder	1
15.	C-9110	Standard Toolholder	1
16.	C-9111	Boring (Vee) Toolholder	1
17.	C-9112	Plain Bore Toolholder	1
18.	C-9113	Blade Clamp	1
19.	A-1611	Socket Flat Head Screw (M6 x 20L)	1
20.	C-9107	Height Adj. Screw (On Each Toolholder)	1
21.	A-1138	Socket Headless Set Screw (M10 x 35L) on each toolholder	1

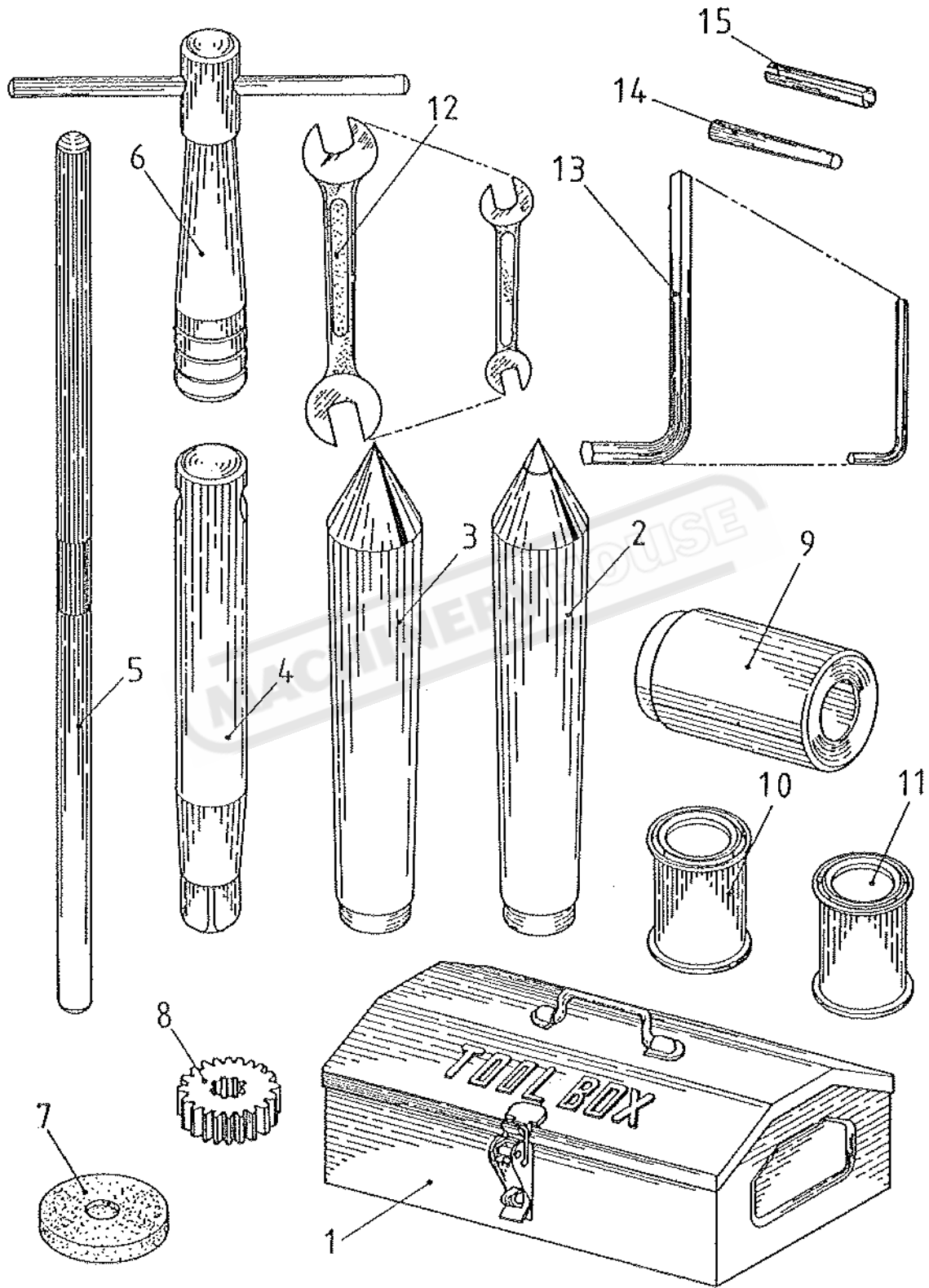
COOLANT EQUIPMENT



NO.	PART No.	Description	Quantity
1.	A-4102	Electric Pump	1
2.	C-9029	Coolant Tank	1
3.	A-4101	Outlet	1
4.	A-4105	Hose Sleeve	1
5.	C-9030	Pipe Bracket	1
6.	A-4106	Pipe	1
7.	A-4107	Valve	1
8.	A-4108	Elbow	1
9.	A-4116	Socket	1
10.	A-4117	Join Pipe	1
11.	A-4118	Nozzie	1
12.	A-1204	Socket Head Cap Screw (M6 x 20L)	2
13.	A-1202	Socket Head Cap Screw (M6 x 12L)	1
14.	A-1432	Socket Head Cap Screw (M6 x 25L)	4
15.	A-1700	Nut (M6)	4
16.	A-4104	Hose	1
17.	A-4103	Electric Tubing	1

MACHINERYHOUSE

TOOLS & EQUIPT



NO.	PART No.	Description	Quantity
1.	A-4515	Tool Box	1
2.	A-4509	Tailstock Center (M.T. #4)	1
3.	A-4510	Headstock Center (M.T. #4)	1
4.	A-4511	Camlock Key	1
5.	A-4512	Key Handle	1
6.	A-4506	Toolscrew Wrench	1
7.	T-9086	Levelling Block	8
8.	C-1146	Change Gear (22T) Metric	1
9.	C-1150	Center Sleeve (M.T. #6 x M.T. #4)	1
10.	A-4513	Touch Paint (Light Grey)	1
11.	A-4514	Touch Paint (Dark Blue)	1
12.	A-4507-1	Spanner (22 x 24)	1
	A-4507-2	Spanner (17 x 19)	1
	A-4507-3	Spanner (12 x 14)	1
13.	A-4508-1	Allen Key (3mm)	1
	A-4508-2	Allen Key (4mm)	1
	A-4508-3	Allen Key (5mm)	1
	A-4508-4	Allen Key (6mm)	1
	A-4508-5	Allen Key (8mm)	1
	A-4508-6	Allen Key (10mm)	1
14.	A-4017	Taper Pin	6
15.	A-4004	Shear Pin (ϕ 5 x 10)	2
	A-4013	Shear Pin (ϕ6 x 30)	2